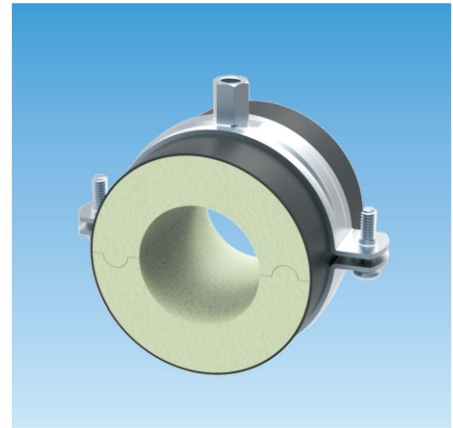
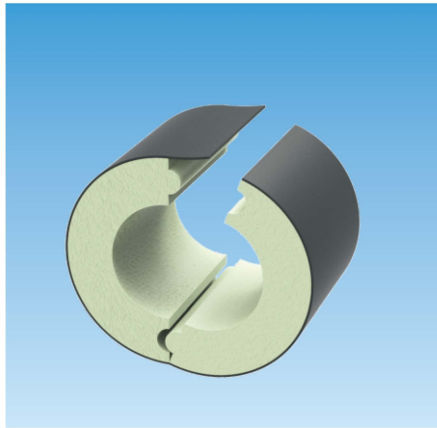
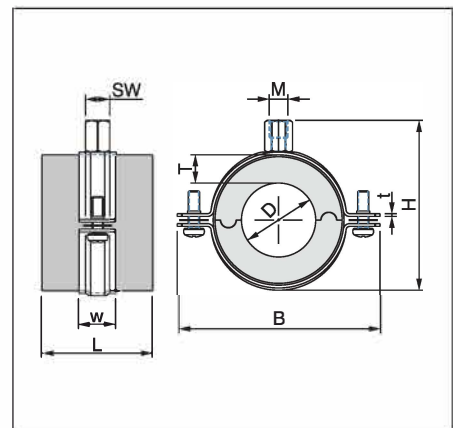


**Art. 800 & 802 & 804 & 806**
**Refrigeration Pipe Clamp CSK-80 (PU Rack Core)**
**Application/Advantages**

- Insulated pipe support inserts are designed to be used in pipe hanger brackets and will support the compressive loads imposed by horizontal pipework carrying water or liquids.
- **Enables the specified thickness of insulation to be maintained at pipe supports.**
- Rigorous avoidance of temperature bridges in cold pipe works.
- **PU element insulation for high insulation, and low effective density.**
- Step-shaped sealing joints.


**Technical Data**

- |                           |  |
|---------------------------|--|
| ■ Clamp material:         | Steel, electro-galvanised                  |
| ■ Pipe rack core:         | Polyurethane rigid foam, with closed cells |
| ■ Effective density:      | 80kg/mm <sup>3</sup>                       |
| ■ Thermal conductivity:   | $\lambda = 0.030 \text{ W/(mk)}$           |
| ■ Fire resistance:        | Class B2 according to DIN 4102             |
| ■ Temperature resistance: | -150°C to +130°C                           |
| ■ Compression strength:   | 70N/cm <sup>2</sup>                        |


**Installation:**

- According to the AGI work sheet Q11 "Cold-insulation works on operational equipment", longitudinal and round joints of fittings should be sealed with PU fitting glue around the entire joint.
- The joining insulation must be placed at an exact right angle and pressed onto the front faces of the PU shells which are to be completely coated with glue.
- Refer to AGI work sheet Q11 for "load capacity for permanent load (KN)" and "Fastening spacing (m)".

**Installation Notes:**

- Apply corrosion protection to pipe line.
- Insert pipe, pull protective film from insulation, glue and screw together clamp parts.
- On front side, glue sealing insulation to refrigeration clamp.

**Note:**

- For pipe diameters > 2", the insertion of load distributing sleeves for spreading the load are highly recommended.

**Art. 800**
**Refrigeration Pipe Clamp CSK-80 (PU Rack Core)**
**For 20mm Insulation Thickness (without Load-Distributing Sleeve)**

Article Number	Pipe Outer Dia. D			Thread M [mm]	w x t	Dimensions [mm]					Max. Rec. Load [N]	Max. Rec. Span [m]	Pack Size* [pcs]
	DN	D[mm]	["]			SW	B	H	T	L			
0629 800 001	—	15.0	—	M8/M10	20x1.5	13	90	75	20	75	50	1.4	—
0629 800 002	10	17.2	3/8	M8/M10	20x1.5	13	92	77	20	75	60	1.4	—
0629 800 003	—	18.0	—	M8/M10	20x1.5	13	93	78	20	75	60	1.4	—
0629 800 004	15	21.3	1/2	M8/M10	20x1.5	13	96	81	20	75	70	1.6	—
0629 800 005	—	22.0	—	M8/M10	25x2.0	13	106	83	20	75	70	1.6	—
0629 800 006	20	26.9	3/4	M8/M10	25x2.0	13	111	88	20	75	90	1.9	—
0629 800 007	—	28.0	—	M8/M10	25x2.0	13	112	89	20	75	90	1.9	—
0629 800 008	25	33.7	1	M8/M10	25x2.0	13	118	95	20	75	110	2.2	—
0629 800 009	—	35.0	—	M8/M10	25x2.0	13	119	96	20	75	120	2.2	—
0629 800 010	32	42.4	1-1/4	M8/M10	25x2.0	13	127	104	20	75	130	2.0	—
0629 800 011	40	48.3	1-1/2	M8/M10	25x2.0	13	132	109	20	75	160	2.0	—
0629 800 012	—	54.0	—	M8/M10	25x2.5	13	139	116	20	75	160	1.8	—
0629 800 013	—	57.0	—	M8/M10	25x2.5	13	142	119	20	75	170	1.8	—
0629 800 014	50	60.3	2	M8/M10	25x2.5	13	145	122	20	75	170	1.8	—
0629 800 015	—	70.0	—	M8/M10	25x2.5	13	155	132	20	75	200	1.7	—
0629 800 016	65	76.1	2-1/2	M8/M10	25x2.5	13	161	138	20	75	210	1.7	—
0629 800 017	—	83.0	—	M8/M10	25x2.5	13	168	145	20	75	220	1.4	—
0629 800 018	80	88.9	3	M8/M10	25x2.5	13	174	151	20	75	250	1.4	—
0629 800 019	—	102.0	—	M8/M10	25x2.5	17	187	165	20	100	290	1.3	—
0629 800 020	—	110.0	—	M8/M10	25x2.5	17	195	173	20	100	300	1.3	—
0629 800 021	100	114.3	4	M8/M10	25x2.5	17	199	177	20	100	400	—	—
0629 800 022	—	125.0	—	M8/M10	25x2.5	17	210	188	20	100	520	—	—
0629 800 023	—	133.0	—	M8/M10	25x2.5	17	218	196	20	100	580	—	—
0629 800 024	125	139.7	5	M8/M10	25x2.5	17	225	203	20	100	600	—	—
0629 800 025	—	160.0	—	M12/M16	40x4.0	24	268	238	20	100	680	—	—
0629 800 026	150	168.3	6	M12/M16	40x4.0	24	276	246	20	100	730	—	—
0629 800 027	200	219.1	8	M12/M16	40x4.0	24	327	297	20	100	950	—	—

\* Pack sizes are variable depending on customer's orders.

**For 20mm Insulation Thickness (with Load-Distributing Sleeve)**

Article Number	Pipe Outer Dia. D			Thread M [mm]	w x t	Dimensions [mm]					Max. Rec. Load [N]	Max. Rec. Span [m]	Pack Size* [pcs]
	DN	D[mm]	["]			SW	B	H	T	L			
0629 800 028	25	33.7	1	M8/M10	25x2.0	13	118	96	20	75	370	2.2	—
0629 800 029	32	42.4	1-1/4	M8/M10	25x2.0	13	127	105	20	75	460	2.6	—
0629 800 030	40	48.3	1-1/2	M8/M10	25x2.0	13	132	110	20	75	530	2.7	—
0629 800 031	—	57.0	—	M8/M10	25x2.5	13	142	120	20	75	620	3.1	—
0629 800 032	50	60.3	2	M8/M10	25x2.5	13	145	123	20	75	650	3.1	—
0629 800 033	—	70.0	—	M8/M10	25x2.5	13	155	133	20	75	740	3.1	—
0629 800 034	65	76.1	2-1/2	M8/M10	25x2.5	13	161	139	20	75	830	3.6	—
0629 800 035	—	83.0	—	M8/M10	25x2.5	13	168	146	20	75	890	3.6	—
0629 800 036	80	88.9	3	M8/M10	25x2.5	13	174	152	20	75	960	3.9	—
0629 800 037	—	102.0	—	M8/M10	25x2.5	17	187	166	20	100	1100	3.9	—
0629 800 038	—	110.0	—	M8/M10	25x2.5	17	195	174	20	100	1300	4.1	—
0629 800 039	100	114.3	4	M8/M10	25x2.5	17	199	178	20	100	1400	4.6	—
0629 800 040	—	125.0	—	M8/M10	25x2.5	17	210	189	20	100	1500	4.6	—
0629 800 041	—	133.0	—	M8/M10	25x2.5	17	218	197	20	100	1600	4.5	—
0629 800 042	125	139.7	5	M8/M10	25x2.5	17	225	204	20	100	1700	4.4	—
0629 800 043	—	160.0	—	M12/M16	40x4.0	24	268	239	20	100	1800	3.9	—
0629 800 044	150	168.3	6	M12/M16	40x4.0	24	276	247	20	100	2000	3.8	—
0629 800 045	200	219.1	8	M12/M16	40x4.0	24	327	298	20	100	2500	3.0	—

\* Pack sizes are variable depending on customer's orders.

**Art. 802**
**Refrigeration Pipe Clamp CSK-80, (PU Rack Core)**
**For 30mm Insulation Thickness (without Load-Distributing Sleeve)**

Article Number	Pipe Outer Dia. D			Thread M [mm]	Dimensions [mm]						Max. Rec. Load [N]	Max. Rec. Span [m]	Pack Size* [pcs]
	DN	D[mm]	["]		w x t	SW	B	H	T	L			
0629 802 001	10	17.2	3/8	M8/M10	20x1.5	13	112	97	30	75	60	1.4	—
0629 802 002	15	21.3	1/2	M8/M10	20x1.5	13	116	101	30	75	70	1.6	—
0629 802 003	20	26.9	3/4	M8/M10	25x2.0	13	131	108	30	75	90	1.9	—
0629 802 004	25	33.7	1	M8/M10	25x2.0	13	138	115	30	75	110	2.2	—
0629 802 005	32	42.4	1-1/4	M8/M10	25x2.0	13	147	124	30	75	130	2.0	—
0629 802 006	40	48.3	1-1/2	M8/M10	25x2.0	13	152	129	30	75	160	2.0	—
0629 802 007	—	57.0	—	M8/M10	25x2.5	13	162	139	30	75	170	1.8	—
0629 802 008	50	60.3	2	M8/M10	25x2.5	13	165	142	30	75	170	1.8	—
0629 802 009	—	70.0	—	M8/M10	25x2.5	13	175	152	30	75	200	1.7	—
0629 802 010	65	76.1	2-1/2	M8/M10	25x2.5	13	181	158	30	75	210	1.7	—
0629 802 011	—	83.0	—	M8/M10	25x2.5	13	188	165	30	75	220	1.4	—
0629 802 012	80	88.9	3	M8/M10	25x2.5	13	194	171	30	75	250	1.4	—
0629 802 013	—	102.0	—	M8/M10	25x2.5	17	207	185	30	100	290	1.3	—
0629 802 014	—	110.0	—	M8/M10	25x2.5	17	215	193	30	100	300	1.3	—
0629 802 015	100	114.3	4	M8/M10	25x2.5	17	219	197	30	100	400	—	—
0629 802 016	—	125.0	—	M8/M10	25x2.5	17	230	208	30	100	520	—	—
0629 802 017	—	133.0	—	M8/M10	25x2.5	17	238	216	30	100	580	—	—
0629 802 018	125	139.7	5	M8/M10	25x2.5	17	245	223	30	100	600	—	—
0629 802 019	—	160.0	—	M12/M16	40x4.0	24	288	258	30	100	680	—	—
0629 802 020	150	168.3	6	M12/M16	40x4.0	24	296	266	30	100	730	—	—
0629 802 021	200	219.1	8	M12/M16	40x4.0	24	347	317	30	100	950	—	—

\* Pack sizes are variable depending on customer's orders.

**For 30mm Insulation Thickness (with Load-Distributing Sleeve)**

Article Number	Pipe Outer Dia. D			Thread M [mm]	Dimensions [mm]						Max. Rec. Load [N]	Max. Rec. Span [m]	Pack Size* [pcs]
	DN	D[mm]	["]		w x t	SW	B	H	T	L			
0629 802 022	10	17.2	3/8	M8/M10	25x2.0	13	112	98	30	75	200	—	—
0629 802 023	15	21.3	1/2	M8/M10	25x2.0	13	116	102	30	75	240	—	—
0629 802 024	20	26.9	3/4	M8/M10	25x2.0	13	131	109	30	75	300	—	—
0629 802 025	25	33.7	1	M8/M10	25x2.0	13	138	116	30	75	370	2.2	—
0629 802 026	32	42.4	1-1/4	M8/M10	25x2.0	13	147	125	30	75	460	2.6	—
0629 802 027	40	48.3	1-1/2	M8/M10	25x2.0	13	152	130	30	75	530	2.7	—
0629 802 028	—	57.0	—	M8/M10	25x2.5	13	162	140	30	75	620	3.1	—
0629 802 029	50	60.3	2	M8/M10	25x2.5	13	165	143	30	75	650	3.1	—
0629 802 030	—	70.0	—	M8/M10	25x2.5	13	175	153	30	75	740	3.1	—
0629 802 031	65	76.1	2-1/2	M8/M10	25x2.5	13	181	159	30	75	830	3.6	—
0629 802 032	—	83.0	—	M8/M10	25x2.5	13	188	166	30	75	890	3.6	—
0629 802 033	80	88.9	3	M8/M10	25x2.5	13	194	172	30	75	960	3.9	—
0629 802 034	—	102.0	—	M8/M10	25x2.5	17	207	186	30	100	1100	3.9	—
0629 802 035	—	110.0	—	M8/M10	25x2.5	17	215	194	30	100	1300	4.1	—
0629 802 036	100	114.3	4	M8/M10	25x2.5	17	219	198	30	100	1400	4.6	—
0629 802 037	—	125.0	—	M8/M10	25x2.5	17	230	209	30	100	1500	4.6	—
0629 802 038	—	133.0	—	M8/M10	25x2.5	17	238	217	30	100	1600	4.5	—
0629 802 039	125	139.7	5	M8/M10	25x2.5	17	245	224	30	100	1700	4.4	—
0629 802 040	—	160.0	—	M12/M16	40x4.0	24	288	259	30	100	1800	3.9	—
0629 802 041	150	168.3	6	M12/M16	40x4.0	24	296	267	30	100	2000	3.8	—
0629 802 042	200	219.1	8	M12/M16	40x4.0	24	347	318	30	100	2500	3.0	—

\* Pack sizes are variable depending on customer's orders.

**Art. 804**
**Refrigeration Pipe Clamp CSK-80 (PU Rack Core)**
**For 40mm Insulation Thickness (without Load-Distributing Sleeve)**

Article Number	Pipe Outer Dia. D			Thread M [mm]	Dimensions [mm]						Max. Rec. Load [N]	Max. Rec. Span [m]	Pack Size* [pcs]
	DN	D[mm]	["]		w x t	SW	B	H	T	L			
0629 804 001	10	17.2	3/8	M8/M10	20x1.5	13	132	117	40	75	60	1.4	—
0629 804 002	15	21.3	1/2	M8/M10	20x1.5	13	136	121	40	75	70	1.6	—
0629 804 003	20	26.9	3/4	M8/M10	25x2.0	13	151	128	40	75	90	1.9	—
0629 804 004	25	33.7	1	M8/M10	25x2.0	13	158	135	40	75	110	2.2	—
0629 804 005	32	42.4	1-1/4	M8/M10	25x2.0	13	167	144	40	75	130	2.0	—
0629 804 006	40	48.3	1-1/2	M8/M10	25x2.0	13	172	149	40	75	160	2.0	—
0629 804 007	—	57.0	—	M8/M10	25x2.5	13	182	159	40	75	170	1.8	—
0629 804 008	50	60.3	2	M8/M10	25x2.5	13	185	162	40	75	170	1.8	—
0629 804 009	—	70.0	—	M8/M10	25x2.5	13	195	172	40	75	200	1.7	—
0629 804 010	65	76.1	2-1/2	M8/M10	25x2.5	13	201	178	40	75	210	1.7	—
0629 804 011	—	83.0	—	M8/M10	25x2.5	13	208	185	40	75	220	1.4	—
0629 804 012	80	88.9	3	M8/M10	25x2.5	13	214	191	40	75	250	1.4	—
0629 804 013	—	102.0	—	M8/M10	25x2.5	17	227	205	40	100	290	1.3	—
0629 804 014	—	110.0	—	M8/M10	25x2.5	17	235	213	40	100	300	1.3	—
0629 804 015	100	114.3	4	M8/M10	25x2.5	17	239	217	40	100	400	—	—
0629 804 016	—	125.0	—	M8/M10	25x2.5	17	250	228	40	100	520	—	—
0629 804 017	—	133.0	—	M8/M10	25x2.5	17	258	236	40	100	580	—	—
0629 804 018	125	139.7	5	M8/M10	25x2.5	17	265	243	40	100	600	—	—
0629 804 019	—	160.0	—	M12/M16	40x4.0	24	308	278	40	100	680	—	—
0629 804 020	150	168.3	6	M12/M16	40x4.0	24	316	286	40	100	730	—	—
0629 804 021	200	219.1	8	M12/M16	40x4.0	24	367	337	40	100	950	—	—

\* Pack sizes are variable depending on customer's orders.

**For 40mm Insulation Thickness (with Load-Distributing Sleeve)**

Article Number	Pipe Outer Dia. D			Thread M [mm]	Dimensions [mm]						Max. Rec. Load [N]	Max. Rec. Span [m]	Pack Size* [pcs]
	DN	D[mm]	["]		w x t	SW	B	H	T	L			
0629 804 022	10	17.2	3/8	M8/M10	25x2.0	13	132	118	40	75	200	—	—
0629 804 023	15	21.3	1/2	M8/M10	25x2.0	13	136	122	40	75	240	—	—
0629 804 024	20	26.9	3/4	M8/M10	25x2.0	13	151	129	40	75	300	—	—
0629 804 025	25	33.7	1	M8/M10	25x2.0	13	158	136	40	75	370	2.2	—
0629 804 026	32	42.4	1-1/4	M8/M10	25x2.0	13	167	145	40	75	460	2.6	—
0629 804 027	40	48.3	1-1/2	M8/M10	25x2.0	13	172	150	40	75	530	2.7	—
0629 804 028	—	57.0	—	M8/M10	25x2.5	13	182	160	40	75	620	3.1	—
0629 804 029	50	60.3	2	M8/M10	25x2.5	13	185	163	40	75	650	3.1	—
0629 804 030	—	70.0	—	M8/M10	25x2.5	13	195	173	40	75	740	3.1	—
0629 804 031	65	76.1	2-1/2	M8/M10	25x2.5	13	201	179	40	75	830	3.6	—
0629 804 032	—	83.0	—	M8/M10	25x2.5	13	208	186	40	75	890	3.6	—
0629 804 033	80	88.9	3	M8/M10	25x2.5	13	214	192	40	75	960	3.9	—
0629 804 034	—	102.0	—	M8/M10	25x2.5	17	227	206	40	100	1100	3.9	—
0629 804 035	—	110.0	—	M8/M10	25x2.5	17	235	214	40	100	1300	4.1	—
0629 804 036	100	114.3	4	M8/M10	25x2.5	17	239	218	40	100	1400	4.6	—
0629 804 037	—	125.0	—	M8/M10	25x2.5	17	250	229	40	100	1500	4.6	—
0629 804 038	—	133.0	—	M8/M10	25x2.5	17	258	237	40	100	1600	4.5	—
0629 804 039	125	139.7	5	M8/M10	25x2.5	17	265	244	40	100	1700	4.4	—
0629 804 040	—	160.0	—	M12/M16	40x4.0	24	308	279	40	100	1800	3.9	—
0629 804 041	150	168.3	6	M12/M16	40x4.0	24	316	287	40	100	2000	3.8	—
0629 804 042	200	219.1	8	M12/M16	40x4.0	24	367	338	40	100	2500	3.0	—

\* Pack sizes are variable depending on customer's orders.

## Art. 806

## Refrigeration Pipe Clamp CSK-80 (PU Rack Core)

## For 50mm Insulation Thickness (without Load-Distributing Sleeve)

Article Number	Pipe Outer Dia. D			Thread M [mm]	Dimensions [mm]						Max. Rec. Load [N]	Max. Rec. Span [m]	Pack Size* [pcs]
	DN	D[mm]	["]		w x t	SW	B	H	T	L			
0629 806 001	10	17.2	3/8	M8/M10	20x1.5	13	152	137	50	75	60	1.4	—
0629 806 002	15	21.3	1/2	M8/M10	20x1.5	13	156	141	50	75	70	1.6	—
0629 806 003	20	26.9	3/4	M8/M10	25x2.0	13	171	148	50	75	90	1.9	—
0629 806 004	25	33.7	1	M8/M10	25x2.0	13	178	155	50	75	110	2.2	—
0629 806 005	32	42.4	1-1/4	M8/M10	25x2.0	13	187	164	50	75	130	2.0	—
0629 806 006	40	48.3	1-1/2	M8/M10	25x2.0	13	192	169	50	75	160	2.0	—
0629 806 007	—	57.0	—	M8/M10	25x2.5	13	202	179	50	75	170	1.8	—
0629 806 008	50	60.3	2	M8/M10	25x2.5	13	205	182	50	75	170	1.8	—
0629 806 009	—	70.0	—	M8/M10	25x2.5	13	215	192	50	75	200	1.7	—
0629 806 010	65	76.1	2-1/2	M8/M10	25x2.5	13	221	198	50	75	210	1.7	—
0629 806 011	—	83.0	—	M8/M10	25x2.5	13	228	205	50	75	220	1.4	—
0629 806 012	80	88.9	3	M8/M10	25x2.5	13	234	211	50	75	250	1.4	—
0629 806 013	—	102.0	—	M8/M10	25x2.5	17	247	225	50	100	290	1.3	—
0629 806 014	—	110.0	—	M8/M10	25x2.5	17	255	233	50	100	300	1.3	—
0629 806 015	100	114.3	4	M8/M10	25x2.5	17	259	237	50	100	400	—	—
0629 806 016	—	125.0	—	M8/M10	25x2.5	17	270	248	50	100	520	—	—
0629 806 017	—	133.0	—	M8/M10	25x2.5	17	278	256	50	100	580	—	—
0629 806 018	125	139.7	5	M8/M10	25x2.5	17	285	263	50	100	600	—	—
0629 806 019	—	160.0	—	M12/M16	40x4.0	24	328	298	50	100	680	—	—
0629 806 020	150	168.3	6	M12/M16	40x4.0	24	336	306	50	100	730	—	—
0629 806 021	200	219.1	8	M12/M16	40x4.0	24	387	357	50	100	950	—	—

\* Pack sizes are variable depending on customer's orders.

## For 50mm Insulation Thickness (with Load-Distributing Sleeve)

Article Number	Pipe Outer Dia. D			Thread M [mm]	Dimensions [mm]						Max. Rec. Load [N]	Max. Rec. Span [m]	Pack Size* [pcs]
	DN	D[mm]	["]		w x t	SW	B	H	T	L			
0629 806 022	10	17.2	3/8	M8/M10	25x2.0	13	152	138	50	75	200	—	—
0629 806 023	15	21.3	1/2	M8/M10	25x2.0	13	156	142	50	75	240	—	—
0629 806 024	20	26.9	3/4	M8/M10	25x2.0	13	171	149	50	75	300	—	—
0629 806 025	25	33.7	1	M8/M10	25x2.0	13	178	156	50	75	370	2.2	—
0629 806 026	32	42.4	1-1/4	M8/M10	25x2.0	13	187	165	50	75	460	2.6	—
0629 806 027	40	48.3	1-1/2	M8/M10	25x2.0	13	192	170	50	75	530	2.7	—
0629 806 028	—	57.0	—	M8/M10	25x2.5	13	202	180	50	75	620	3.1	—
0629 806 029	50	60.3	2	M8/M10	25x2.5	13	205	183	50	75	650	3.1	—
0629 806 030	—	70.0	—	M8/M10	25x2.5	13	215	193	50	75	740	3.1	—
0629 806 031	65	76.1	2-1/2	M8/M10	25x2.5	13	221	199	50	75	830	3.6	—
0629 806 032	—	83.0	—	M8/M10	25x2.5	13	228	206	50	75	890	3.6	—
0629 806 033	80	88.9	3	M8/M10	25x2.5	13	234	212	50	75	960	3.9	—
0629 806 034	—	102.0	—	M8/M10	25x2.5	17	247	226	50	100	1100	3.9	—
0629 806 035	—	110.0	—	M8/M10	25x2.5	17	255	234	50	100	1300	4.1	—
0629 806 036	100	114.3	4	M8/M10	25x2.5	17	259	238	50	100	1400	4.6	—
0629 806 037	—	125.0	—	M8/M10	25x2.5	17	270	249	50	100	1500	4.6	—
0629 806 038	—	133.0	—	M8/M10	25x2.5	17	278	257	50	100	1600	4.5	—
0629 806 039	125	139.7	5	M8/M10	25x2.5	17	285	264	50	100	1700	4.4	—
0629 806 040	—	160.0	—	M12/M16	40x4.0	24	328	299	50	100	1800	3.9	—
0629 806 041	150	168.3	6	M12/M16	40x4.0	24	336	307	50	100	2000	3.8	—
0629 806 042	200	219.1	8	M12/M16	40x4.0	24	387	358	50	100	2500	3.0	—

\* Pack sizes are variable depending on customer's orders.