

Art. 271

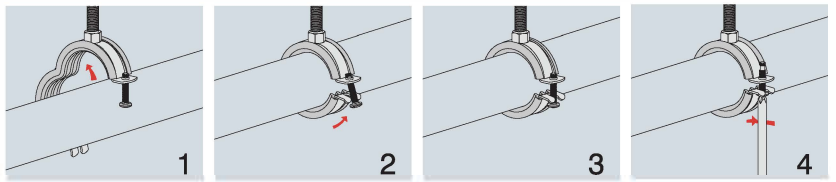
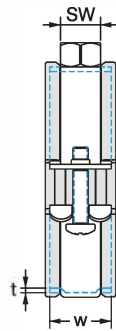
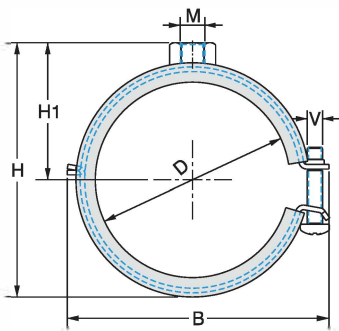
Hinged Pipe Clamp w/ Lining (E-Type)

Application/Advantages

- For fixing of drinking and heating water pipe lines.
- **Snap-in closure with swiveling screw - simple and effective.**
- Hinged pipe clamp with wide opening for easy pipe insertion.
- Secure stop points on top of the screw prevent the screw from falling during installation.
- Labour cost saving insertion of the pipe in overhead installation.
- Strong sound insulation insert for firm fit.

Technical Data

- Material: Steel 1.0332 acc. to DIN EN 10111
- Zinc plating: Electro zinc plated, 8–12 µm
- Sound absorption lining: EPDM; chlorine-free; silicone-free
- Noise reduction: According to DIN 4109
- Temperature resistance: -50°C to +110°C
- EPDM hardness: 45° +/- 5° Shore-A
- Fire behaviour: Class B2 according to DIN 4102



Article Number	Clamping Range		Connecting Thread	Dimensions [mm]						Pack Size [pcs]	Max. Rec. Load [N]
	D[mm]	[inch]		w x t	B	H	H1	SW	V		
1218 271 011	11-15	1/4	M8	20x1.0	41	33	20	13	M5x24	150	800
1218 271 015	15-19	3/8	M8	20x1.0	45	37	22	13	M5x24	150	800
1218 271 021	21-23	1/2	M8	20x1.0	50	41	24	13	M5x30	100	800
1218 271 026	26-28	3/4	M8	20x1.0	55	46	27	13	M5x30	100	800
1218 271 032	32-35	1	M8	20x1.0	62	53	30	13	M5x30	100	800
1218 271 038	38-43	1-1/4	M8	20x1.0	70	62	34	13	M5x30	50	800
1218 271 048	48-51	1-1/2	M8	20x1.0	79	70	38	13	M5x34	50	800
1218 271 057	57-63	2	M8	20x1.5	90	82	44	13	M5x34	50	1200