

Art. 332

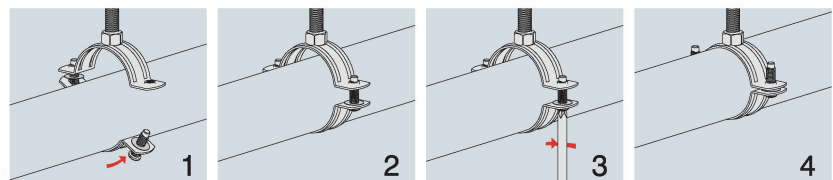
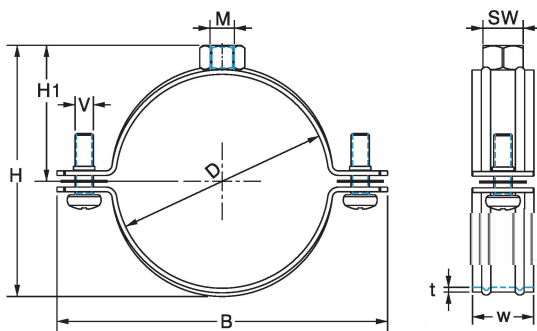
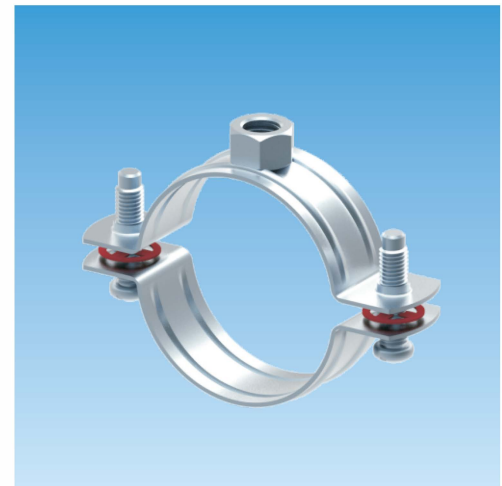
Two Screw Pipe Clamp w/o Lining (E-Type)

Application/Advantages

- For fixing of drinking and heating water pipe lines.
- **Economy type, designed with cost-saving material system.**
- Two lock bolts allow adjustment to accommodate varying pipe diameters.
- Lock screw with captive plastic washer to prevent loss.
- Combination nut for cost-effective warehousing and flexibility on-site.
- Solid design with reinforcement band rib.

Technical Data

- Material: Steel 1.0332 acc. to DIN EN 10111
- Zinc plating: Electro zinc plated, 8–12 μm



Article Number	Clamping Range		Connecting Thread	w x t	Dimensions [mm]					Pack Size [pcs]	Max. Rec. Load [N]
	D [mm]	[inch]			B	H	H1	SW	V		
0906 332 012	12-14	1/4	M8	20x1.0	42	25	16	13	M5x16	150	1100
0906 332 015	15-19	3/8	M8	20x1.0	47	30	19	13	M5x16	150	1100
0906 332 020	20-25	1/2	M8	20x1.0	53	36	22	13	M5x16	100	1100
0906 332 025	25-30	3/4	M8	20x1.0	58	41	24	13	M5x16	100	1100
0906 332 030	30-35	1	M8	20x1.0	64	46	27	13	M5x16	100	1100
0906 332 040	40-43	1-1/4	M8	20x1.2	72	54	31	13	M5x16	50	1300
0906 332 047	47-52	1-1/2	M8	20x1.2	81	63	35	13	M5x16	50	1300
0906 332 052	52-56	–	M8	20x1.2	86	68	38	13	M6x25	50	1300
0906 332 057	57-61	2	M8	20x1.2	91	73	40	13	M6x25	50	1300
0906 332 063	63-67	–	M8	20x1.5	97	79	43	13	M6x25	50	1500
0906 332 070	70-73	–	M8	20x1.5	103	85	46	13	M6x25	50	1500
0906 332 074	74-80	2-1/2	M8	20x1.5	110	92	50	13	M6x25	50	1500
0906 332 083	83-91	3	M8	20x1.5	121	103	55	13	M6x25	50	1500
0906 332 101	101-106	–	M8/M10	23x1.5	142	127	72	13	M6x25	25	1800
0906 332 108	108-114	4	M8/M10	23x1.5	150	135	76	13	M6x25	25	1800
0906 332 125	125	–	M8/M10	23x2.0	163	147	82	13	M6x25	25	2300
0906 332 131	131-135	–	M8/M10	23x2.0	172	157	87	13	M6x25	25	2300
0906 332 136	136-140	5	M8/M10	23x2.0	177	162	89	13	M6x25	20	2300
0906 332 159	159-163	–	M8/M10	23x2.0	201	185	101	13	M6x25	20	2300
0906 332 165	165-169	6	M8/M10	23x2.0	207	191	104	13	M6x25	20	2300
0906 332 210	210-212	–	M8/M10	23x2.0	250	234	125	13	M6x25	10	2300
0906 332 216	216-220	8	M8/M10	23x2.0	258	242	129	13	M6x25	10	2300