

Art. 207

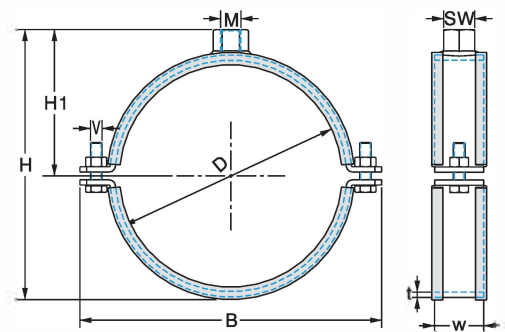
Two Screw Pipe Clamp w/ Lining (Heavy-duty M16 Type)

Application/Advantages

- For the installation of pipes in M&E Services and plant construction.
- **Pipe support for heavy-duty load applications**
- Stronger fastening latches for high load capacity.
- High-strength welding all around the connecting nut.
- **M16 nuts CO<sub>2</sub> welding for all sizes.**
- **High-quality silicone rubber maintains its properties in the temperature range -60°C to +220°C.**

Technical Data

- Material: Steel 1.0332 acc. to DIN EN 10111
- Zinc plating: Electro zinc plated, 8–12 µm
- Sound absorption lining: EPDM; chlorine-free; silicone-free
- Noise reduction: According to DIN 4109
- Temperature resistance: -60°C to +220°C
- EPDM hardness: 45° +/- 5° Shore-A
- Fire behaviour: Class B2 according to DIN 4102
- CO<sub>2</sub> Welding: For all sizes



| Article Number | Clamping Range |        | Connecting Thread | w x t  | Dimensions [mm] |     |     |    |        | Pack Size [pcs] | Max. Rec. Load [N] |
|----------------|----------------|--------|-------------------|--------|-----------------|-----|-----|----|--------|-----------------|--------------------|
|                | D[mm]          | [inch] |                   |        | B               | H   | H1  | SW | V      |                 |                    |
| 1218 207 315   | 315-324        | —      | M16               | 50x5.5 | 403             | 360 | 186 | 24 | M12x45 | 5               | 12000              |
| 1218 207 345   | 345-356        | —      | M16               | 50x5.5 | 435             | 392 | 202 | 24 | M12x45 | 5               | 12000              |
| 1218 207 359   | 359-368        | —      | M16               | 50x5.5 | 447             | 404 | 208 | 24 | M12x45 | 5               | 12000              |
| 1218 207 398   | 398-407        | —      | M16               | 50x5.5 | 486             | 443 | 228 | 24 | M12x45 | 5               | 12000              |
| 1218 207 410   | 410-419        | —      | M16               | 70x6.0 | 498             | 455 | 234 | 24 | M12x45 | 5               | 12000              |
| 1218 207 498   | 498-508        | —      | M16               | 70x6.0 | 587             | 544 | 278 | 24 | M12x45 | 5               | 12000              |
| 1218 207 512   | 512-521        | —      | M16               | 70x6.0 | 600             | 557 | 285 | 24 | M12x45 | 5               | 12000              |