

Art. 900

EFIX Sliding Saddle (Heavy-duty Type)

Application/Advantages

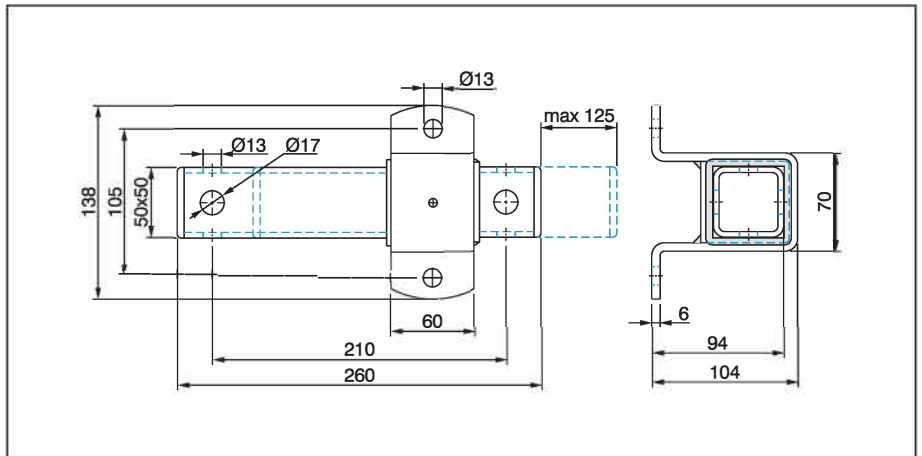
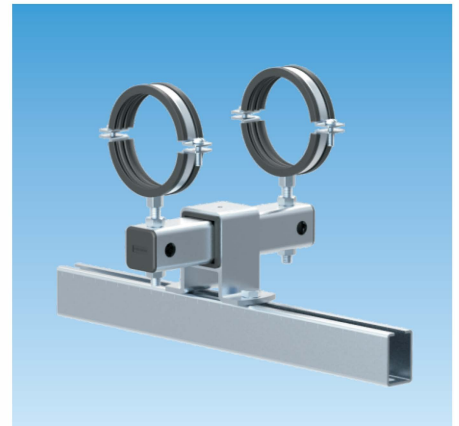
- Designed for the suspension of pipe lines that vary in length due to temperature fluctuations.
- **Sliding saddle for heavy load applications.**
- No possibility of sliding out.
- Universal connection holes for M12 and M16.
- Also suitable for wall fixing with horizontal or vertical pipes.

Technical Data

- **Material:**
Steel 1.0332 acc. to DIN EN 10111
- **Zinc plating:**
Electro zinc plated, 8-12 μm
- **Temperature range:**
-40°C to +100°C

Installation

- Install sliding element according to expected length expansion, so sliding distance is not lost and sliding is not impeded.



Article Number	Type	Connecting hole [mm]	Max. sliding distance [mm]	Pack Size [pcs]	Max. Rec. Load [N]
1014 900 001	For M12, M16	Ø13, Ø17	125	10	7800