

Art. 253

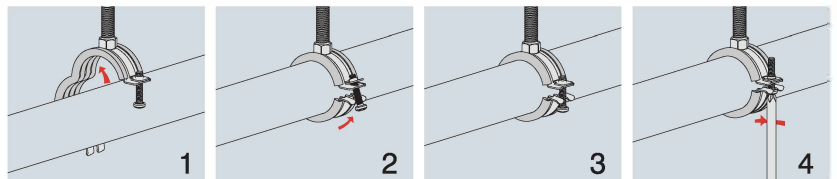
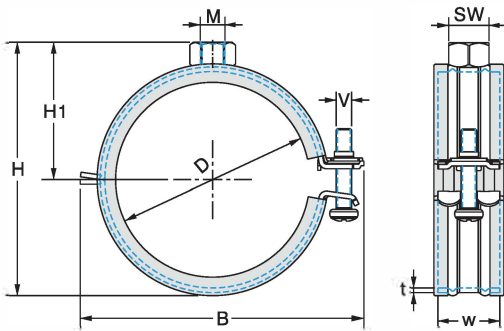
Hinged Pipe Clamp w/ Lining (Classic Type)

Application/Advantages

- Patented model.
- Suitable for fixing of drinking and heating water pipe lines.
- Snap tongue can freely swing with a very wide angle.
- Hinged pipe clamp with wide opening for easy pipe insertion.
- Secure stop points on top of the screw preventing the screw from falling during installation.
- Labour cost saving when inserting the pipe in overhead installations.
- Strong sound insulation insert for firm fit.

Technical Data

- Material: Steel 1.0332 acc. to DIN EN 10111
- Zinc plating: Electro zinc plated, 8–12 µm
- Sound absorption lining: EPDM; chlorine-free; silicone-free
- Noise reduction: According to DIN 4109
- Temperature resistance: -50°C to +110°C
- EPDM hardness: 45° +/- 5° Shore-A
- Fire behaviour: Class B2 according to DIN 4102



Article Number	Clamping Range		Connecting Thread	Dimensions [mm]						Pack Size [pcs]	Max. Rec. Load [N]
	D[mm]	[inch]		w x t	B	H	H1	SW	V		
1218 253 011	11-15	1/4	M8	20x1.0	44	36	22	13	M5x22	150	800
1218 253 015	15-19	3/8	M8	20x1.0	48	40	24	13	M5x22	150	800
1218 253 021	21-23	1/2	M8	20x1.0	52	43	25	13	M5x22	100	800
1218 253 026	26-28	3/4	M8	20x1.0	57	48	28	13	M5x25	100	800
1218 253 032	32-35	1	M8	20x1.0	64	56	32	13	M5x25	100	800
1218 253 040	40-43	1-1/4	M8	20x1.2	72	64	36	13	M5x25	50	1000
1218 253 048	48-51	1-1/2	M8	20x1.2	80	72	40	13	M5x25	50	1000
1218 253 052	52-56	2	M8	20x1.2	87	78	43	13	M5x30	50	1000
1218 253 057	57-60	-	M8	20x1.2	91	72	45	13	M5x30	50	1000
1218 253 062	62-64	-	M8	20x1.5	95	66	47	13	M5x30	50	1200
1218 253 070	70-73	-	M8	20x1.5	104	95	51	13	M5x30	50	1200
1218 253 074	74-80	2-1/2	M8	20x1.5	111	102	55	13	M5x30	50	1200
1218 253 083	83-91	3	M8	20x1.5	122	113	60	13	M5x30	50	1200
1218 253 101	101-106	-	M8/M10	20x2.0	139	138	77	13	M6x35	25	1400
1218 253 108	108-114	4	M8/M10	20x2.0	147	146	81	13	M6x35	25	1400