

Art. 358

Two Screw Heavy-duty Pipe Clamp (w/ Yoke)

Application/Advantages

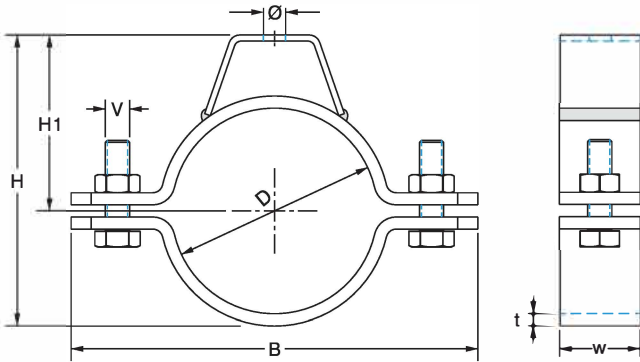
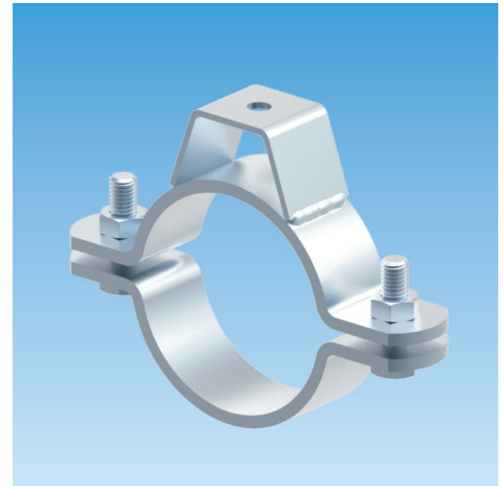
- Yoked two screw heavy-duty clamp. For mounting of clips and pipes carrying heavy load to walls, ceilings and floors.
- **Pipe support for heavy-duty loads applications.**
- To fix heavy duty clamps with nuts, steel anchors and rods.
- Stronger fastening latches for high load capacity.
- **CO<sub>2</sub> welded connection head for all sizes.**

Technical Data

- Material: Steel 1.0332 acc. to DIN EN 10111
- Zinc plating: Electro zinc plated, 8–12 µm

Note

- Other finishes available on request



| Article Number | Size D [mm] | Pipe Dia. [mm]/[NB] | Connection hole Ø [mm] | w x t  | Dimensions [mm] |     |     |        | Pack Size [pcs] | Max. Rec. Load [N] |
|----------------|-------------|---------------------|------------------------|--------|-----------------|-----|-----|--------|-----------------|--------------------|
|                |             |                     |                        |        | B               | H   | H1  | V      |                 |                    |
| 0906 358 060   | 60.0        | 50nb                | 14.0                   | 40x6.0 | 132             | 98  | 62  | M12x45 | 10              | 9000               |
| 0906 358 064   | 64.0        | 64cu                | 14.0                   | 40x6.0 | 136             | 102 | 64  | M12x45 | 10              | 9000               |
| 0906 358 073   | 73.0        | 65nb                | 14.0                   | 40x6.0 | 145             | 111 | 69  | M12x45 | 10              | 9000               |
| 0906 358 076   | 76.0        | 80cu                | 14.0                   | 40x6.0 | 148             | 114 | 70  | M12x45 | 10              | 9000               |
| 0906 358 083   | 83.0        | 83ns                | 14.0                   | 40x6.0 | 155             | 121 | 74  | M12x45 | 10              | 9000               |
| 0906 358 089   | 89.0        | 80nb                | 14.0                   | 40x6.0 | 161             | 127 | 77  | M12x45 | 10              | 9000               |
| 0906 358 102   | 102.0       | 100cu               | 14.0                   | 40x6.0 | 174             | 140 | 83  | M12x45 | 10              | 9000               |
| 0906 358 115   | 115.0       | 100nb               | 14.0                   | 40x6.0 | 187             | 153 | 90  | M12x45 | 5               | 9000               |
| 0906 358 127   | 127.0       | 125cu               | 14.0                   | 40x6.0 | 199             | 165 | 96  | M12x45 | 5               | 9000               |
| 0906 358 140   | 140.0       | 125nb               | 14.0                   | 40x6.0 | 212             | 178 | 102 | M12x45 | 5               | 9000               |
| 0906 358 152   | 152.0       | 152cu               | 14.0                   | 40x6.0 | 224             | 190 | 108 | M12x45 | 5               | 9000               |
| 0906 358 168   | 168.0       | 150nb               | 14.0                   | 40x6.0 | 240             | 206 | 116 | M12x45 | 5               | 9000               |
| 0906 358 175   | 175.0       | 175ns               | 14.0                   | 40x6.0 | 247             | 213 | 120 | M12x45 | 5               | 9000               |
| 0906 358 190   | 190.0       | 190ns               | 14.0                   | 40x6.0 | 262             | 228 | 127 | M12x45 | 5               | 9000               |
| 0906 358 203   | 203.0       | 200cu               | 14.0                   | 40x6.0 | 275             | 241 | 134 | M12x45 | 5               | 9000               |
| 0906 358 220   | 220.0       | 200nb               | 14.0                   | 40x6.0 | 292             | 258 | 142 | M12x45 | 5               | 9000               |
| 0906 358 228   | 228.0       | 228ns               | 14.0                   | 40x6.0 | 300             | 266 | 146 | M12x45 | 5               | 9000               |
| 0906 358 240   | 240.0       | 240ns               | 14.0                   | 40x6.0 | 312             | 278 | 152 | M12x45 | 5               | 9000               |
| 0906 358 252   | 252.0       | 250cu               | 14.0                   | 40x6.0 | 324             | 290 | 158 | M12x45 | 5               | 9000               |
| 0906 358 275   | 275.0       | 250nb               | 18.0                   | 40x6.0 | 347             | 313 | 170 | M12x45 | 5               | 9000               |