

Art. 225

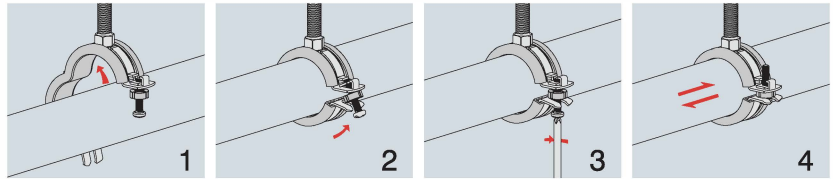
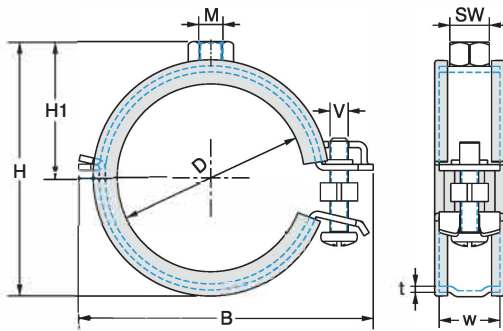
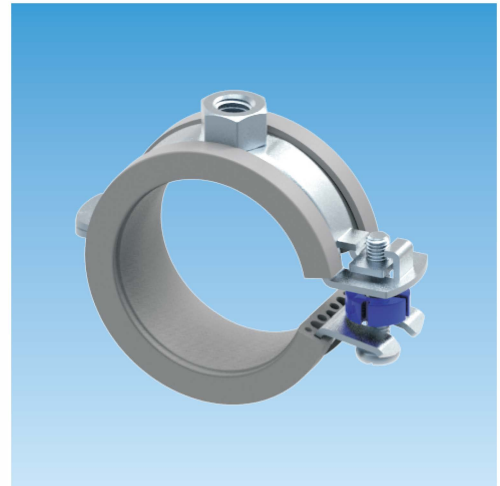
Hinged Pipe Clamp w/ Lining (For Plastic Pipes)

Application/Advantages

- For fixing of plastic pipes.
- **Special sound-absorbing insert for the installation of plastic pipes. Excellent sliding properties.**
- Can include spacers to secure sliding function.
- Easy click-in to closure.
- Contains no aggressive softening agents that could compromise the plastic piping.

Technical Data

- Material: Steel 1.0332 acc. to DIN EN 10111
- Zinc plating: Electro zinc plated, 8–12 µm
- Sound absorption lining: EPDM; chlorine-free; silicone-free
- Noise reduction: According to DIN 4109
- Temperature resistance: -50°C to +110°C
- EPDM hardness: 45° +/- 5° Shore-A
- Fire behaviour: Class B2 according to DIN 4102



Article Number	Clamping Range		Connecting Thread	Dimensions [mm]						Pack Size [pcs]	Max. Rec. Load [N]
	D[mm]	[inch]		w x t	B	H	H1	SW	V		
1218 225 016	16	–	M8	20x1.2	45	35	21	13	M5x22	100	1000
1218 225 020	20	–	M8	20x1.2	49	39	23	13	M5x22	100	1000
1218 225 025	25	–	M8	20x1.2	55	44	25	13	M5x25	100	1000
1218 225 032	32	–	M8	20x1.2	62	51	29	13	M5x25	100	1000
1218 225 040	40	–	M8	20x1.2	70	59	33	13	M5x25	50	1000
1218 225 050	50	–	M8	20x1.5	83	72	39	13	M5x30	50	1200
1218 225 056	56	–	M8	20x1.5	89	78	42	13	M5x30	50	1200
1218 225 063	63	–	M8	20x1.5	96	85	46	13	M5x30	50	1200
1218 225 075	75	–	M8	20x1.5	108	97	52	13	M5x30	50	1200
1218 225 090	90	–	M8	20x1.5	123	112	59	13	M5x30	50	1200
1218 225 110	110	–	M8/M10	20x2.0	145	142	79	13	M6x35	25	1400