

Art. 200

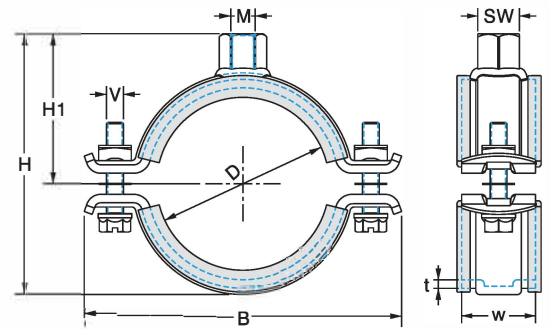
Two Screw Pipe Clamp w/ Lining (Heavy Duty Type)

Application/Advantages

- **Patented model.**
- For the installation of pipes required in M&E Services and plant construction.
- **Pipe support for heavy-duty load applications.**
- Stronger fastening latches for high load capacity.
- High-strength welding all around the connecting nut.
- CO₂ welding for size > 177-183mm.
- Strong sound insulation insert for firm fit.

Technical Data

- Material: Steel 1.0332 acc. to DIN EN 10111
- Zinc plating: Electro zinc plated, 8–12 µm
- Sound absorption lining: EPDM; chlorine-free; silicone-free
- Noise reduction: For according to DIN 4109
- Temperature resistance: -50°C to +110°C
- EPDM hardness: 45° +/- 5° Shore-A
- Fire behaviour: Class B2 according to DIN 4102



Article Number	Clamping Range		Connecting Thread	Dimensions [mm]						Pack Size [pcs]	Max. Rec. Load [N]
	D[mm]	[inch]		w x t	B	H	H1	SW	V		
1218 200 014	14-18	3/8	M8/M10	30x2.5	66	57	40	17	M8x30	50	2500
1218 200 019	19-23	1/2	M8/M10	30x2.5	71	64	43	17	M8x30	50	2500
1218 200 024	24-28	3/4	M8/M10	30x2.5	77	69	46	17	M8x30	50	2500
1218 200 029	29-33	-	M8/M10	30x2.5	83	75	49	17	M8x30	50	2500
1218 200 033	33-37	1	M8/M10	30x2.5	88	79	51	17	M8x30	50	2500
1218 200 040	40-45	1-1/4	M8/M10	30x2.5	96	87	55	17	M8x30	50	2500
1218 200 047	47-52	1-1/2	M8/M10	30x2.5	102	93	58	17	M8x30	50	2500
1218 200 053	53-58	-	M8/M10	30x2.5	108	99	61	17	M8x30	50	2500
1218 200 060	60-65	2	M8/M10	30x2.5	115	106	64	17	M8x30	50	2500
1218 200 067	67-72	-	M10/M12	30x3.0	135	121	74	19	M8x40	25	3500
1218 200 073	73-78	2-1/2	M10/M12	30x3.0	141	127	77	19	M8x40	25	3500
1218 200 079	79-85	-	M10/M12	30x3.0	147	133	80	19	M8x40	25	3500
1218 200 088	88-93	3	M10/M12	30x3.0	157	142	84	19	M8x40	25	3500
1218 200 100	100-106	-	M10/M12	30x3.0	171	156	91	19	M8x40	25	3500
1218 200 108	108-115	4	M10/M12	30x3.0	179	164	95	19	M8x40	25	3500
1218 200 117	117-123	-	M12/M16	40x4.0	184	169	98	24	M8x40	10	5000
1218 200 124	124-129	-	M12/M16	40x4.0	208	180	104	24	M12x45	10	5000
1218 200 131	131-137	-	M12/M16	40x4.0	216	188	108	24	M12x45	10	5000
1218 200 138	138-144	5	M12/M16	40x4.0	223	195	111	24	M12x45	10	5000
1218 200 148	148-154	-	M12/M16	40x4.0	234	205	116	24	M12x45	10	5000
1218 200 156	156-162	-	M12/M16	40x4.0	242	213	120	24	M12x45	10	5000
1218 200 165	165-171	6	M12/M16	40x4.0	253	224	126	24	M12x45	10	5000
1218 200 177	177-183	-	M12/M16	40x4.0	263	234	131	24	M12x45	10	10000
1218 200 188	188-194	-	M12/M16	40x4.0	274	245	136	24	M12x45	10	10000
1218 200 196	196-203	-	M12/M16	40x4.0	285	256	142	24	M12x45	10	10000
1218 200 208	208-214	-	M12/M16	40x4.0	294	265	146	24	M12x45	10	10000
1218 200 219	219-225	8	M12/M16	40x4.0	305	276	152	24	M12x45	10	10000
1218 200 244	244-250	-	M12/M16	40x4.0	330	301	164	24	M12x45	10	10000
1218 200 267	267-273	10	M12/M16	40x4.0	354	324	176	24	M12x45	10	10000
1218 200 299	299-305	-	M12/M16	40x4.0	386	356	192	24	M12x45	10	10000