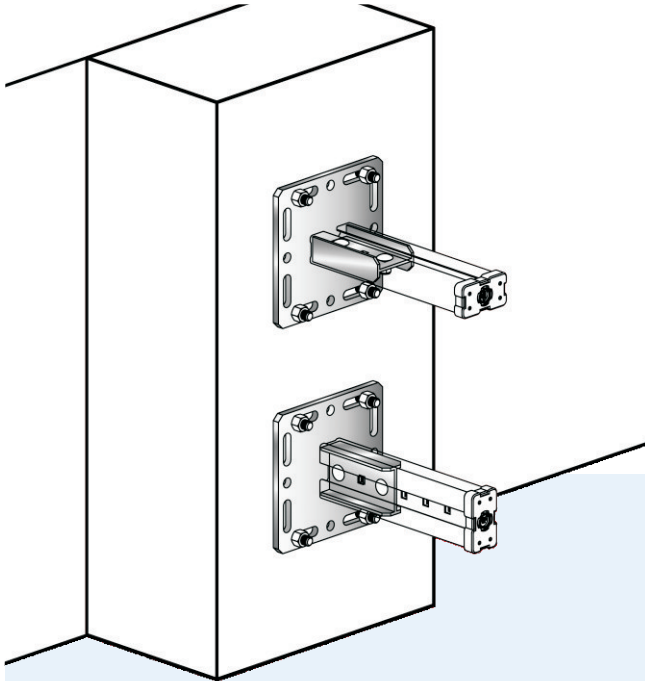


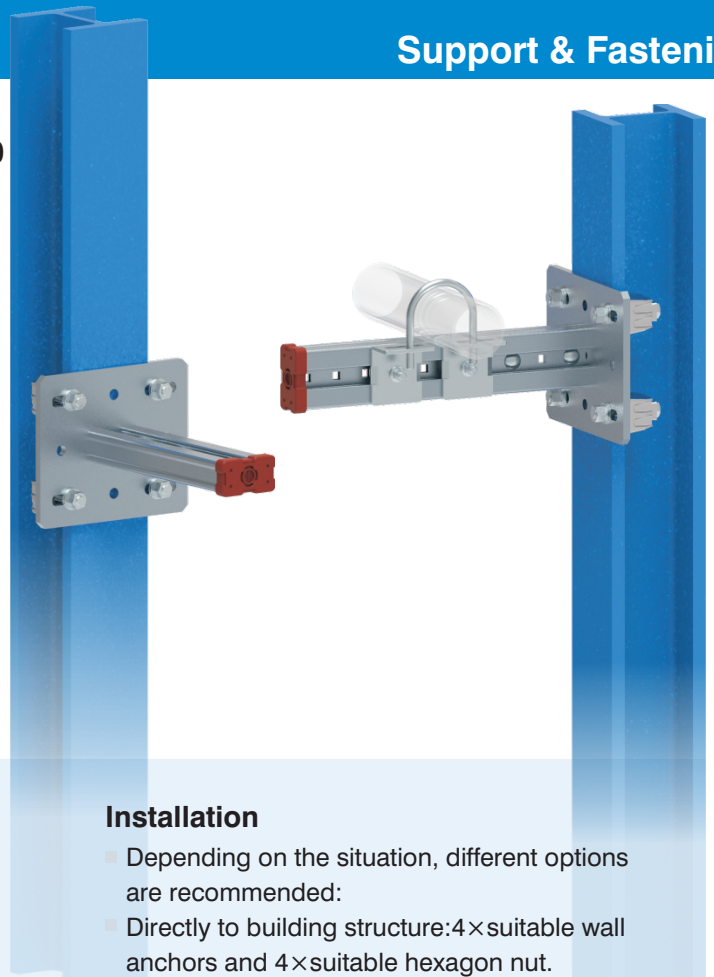
Beam Cantilever Connector BCC/BCCV C50

The structural element for accommodation of pipe work and aggregates in industrial construction, plant construction and heavy-duty building technology.



The Key Advantages

- Ready-to-use element for mounting to traditional steel beams, wall and floor as well as to ceiling, or for assembling crossbars with the respective connecting components.
- Any cut length of the Beam Section can be achieved.
- As a prefabricated cantilever support or beam bracket component to be fixed to steel beam with flange widths between 75-300mm by means of Girder Clamps Type AAF M16

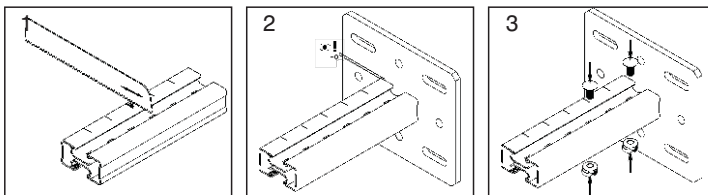


Installation

- Depending on the situation, different options are recommended:
- Directly to building structure: 4× suitable wall anchors and 4× suitable hexagon nut.
- To traditional steel beams between 80-310mm flange dimensions: With on-demand BP, 4× Girder Clamps Type AAF 16, 4× M16 DTI washer (ASME B 18.2.6) and 4× Hardened steel washer (ASTM F 436)

Technical Data

- Material Composition:**
Steel S275JR - EN 10025
- Surface Finish:**
Hot-dipped galv. 55µm DIN EN ISO 1461



- Choose on-demand Base Plate for the traditional steel beam.
- Cut the **Beam Section AF S50** at particular location to ensure proper use.

Type	Part-No.	Dimensions of Base Plate [mm]	For Flange Width [mm]	Beam Section	Slots in Base plate for	Weight [kg/pc]	Pack Size [pcs]
BCC C50-A	32405001	240×240×12	75-120	AF S50	M16	6.34	1
BCC C50-B	32405002	280×240×12	121-160	AF S50	M16	7.24	1
BCC C50-C	32405003	320×240×12	161-235	AF S50	M16	8.15	1
BCC C50-D	32405004	420×240×12	235-300	AF S50	M16	10.40	1
BCCV C50-B	32505002	280×240×12	121-160	AF S50	M16	7.24	1
BCCV C50-C	32505003	320×240×12	161-235	AF S50	M16	8.15	1
BCCV C50-D	32505004	420×240×12	235-300	AF S50	M16	10.40	1

