

Art. 603

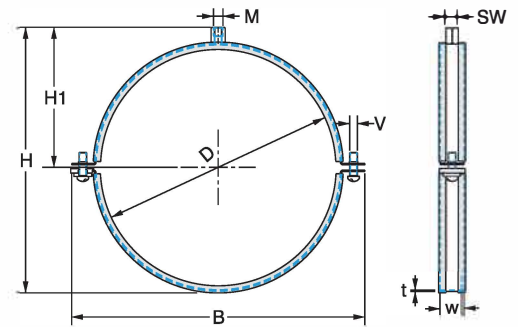
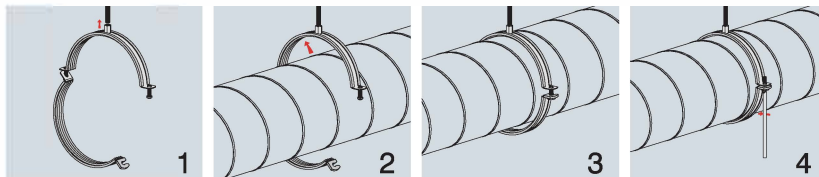
Ventilation Pipe Clamp W/ Lining, **E-ZLock™** Type

Application/Advantages

- **Patented model.**
- Snap closure with **special click-function** preventing lower half of clamp from falling upper half during installation.
- **Special designed round stop-edge to secure the screw in safety lock position without sliding out after the screw is fastened.**
- Swiveling lower half allows for wide clamp opening.
- Stable sound insulation insert for firm fit.

Technical Data

- Material: Steel 1.0332 acc. to DIN EN 10111
- Zinc plating: Pre-galvanised according to DIN EN 10327
- Sound absorption lining: EPDM; chlorine-free; silicone-free
- Noise reduction: According to DIN 4109
- Temperature resistance: -50°C to +110°C
- EPDM hardness: 45°+/- 5° Shore-A
- Fire behaviour: Class B2 according to DIN 4102



Article Number	Size [mm]	Connecting Thread	Dimensions [mm]						Pack Size [pcs]	Max. Rec. Load [N]
			w x t	B	H	H1	SW	V		
1002 603 071	71	M8	20x1.5	120	92	50	13	M6x25	25	800
1002 603 080	80	M8	20x1.5	129	101	54	13	M6x25	25	800
1002 603 090	90	M8	20x1.5	139	111	59	13	M6x25	25	800
1002 603 100	100	M8	20x1.5	149	121	64	13	M6x25	25	800
1002 603 112	112	M8	20x1.5	161	133	70	13	M6x25	25	800
1002 603 125	125	M8	20x1.5	174	146	77	13	M6x25	25	800
1002 603 140	140	M8	20x1.5	189	161	84	13	M6x25	25	800
1002 603 150	150	M8	20x1.5	199	171	89	13	M6x25	25	800
1002 603 160	160	M8	20x1.5	209	181	94	13	M6x25	25	800
1002 603 180	180	M8	20x1.5	229	201	104	13	M6x25	25	800
1002 603 200	200	M8	20x1.5	249	221	114	13	M6x25	25	800
1002 603 224	224	M8/M10	25x1.5	277	254	135	13	M8x30	10	1000
1002 603 250	250	M8/M10	25x1.5	303	280	148	13	M8x30	10	1000
1002 603 280	280	M8/M10	25x1.5	333	310	163	13	M8x30	10	1000
1002 603 300	300	M8/M10	25x1.5	353	330	173	13	M8x30	10	1000
1002 603 315	315	M8/M10	25x1.5	368	345	181	13	M8x30	10	1000
1002 603 355	355	M8/M10	25x1.5	408	385	201	13	M8x30	10	1000
1002 603 400	400	M8/M10	25x1.5	453	430	223	13	M8x30	10	1000
1002 603 450	450	M8/M10	25x2.5	505	482	249	13	M8x30	10	1200
1002 603 500	500	M8/M10	25x2.5	555	532	274	13	M8x30	10	1200
1002 603 560	560	M8/M10	25x2.5	615	592	304	13	M8x30	10	1200
1002 603 600	600	M8/M10	25x2.5	655	632	324	13	M8x30	10	1200
1002 603 630	630	M8/M10	25x2.5	685	662	339	13	M8x30	10	1200
1002 603 710	710	M8/M10	25x2.5	765	742	379	13	M8x30	10	1200
1002 603 800	800	M8/M10	25x2.5	855	832	424	13	M8x30	10	1200
1002 603 900	900	Note: We produce E-ZLock Type ventilation pipe clamps in all other pipe sizes and connection boss' subject to request.								
1002 603 010	1000									
1002 603 012	1120									