

Art. 616

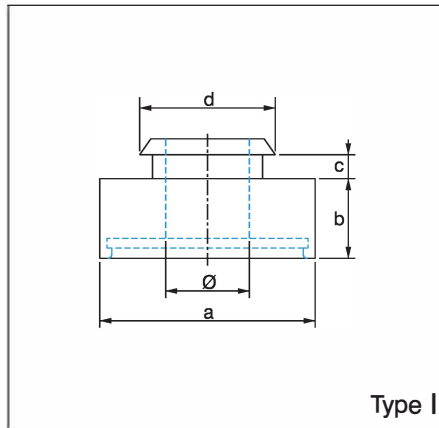
Sound Insulator (SBR/EPDM)

Application/Advantages

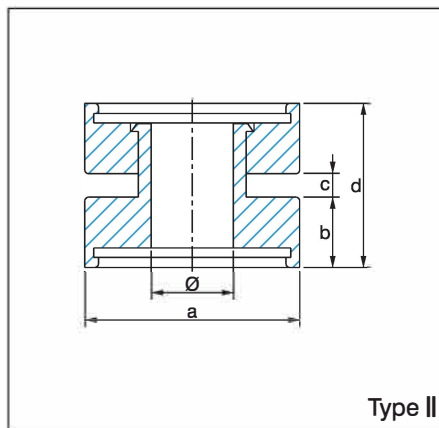
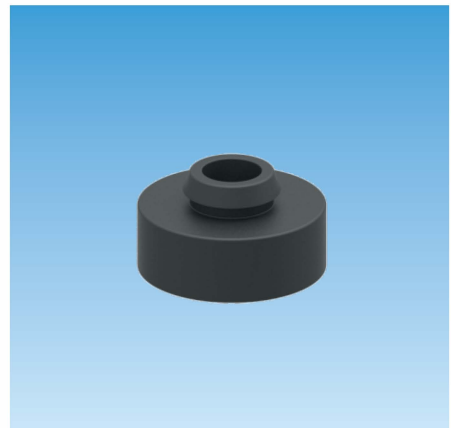
- Sound absorption element for use in combination with C-Channels/Struts in duct systems, trapezoidal sheet hangers, and other fixing units where sound proof demands according to DIN4109 are required.

Technical Data

- **Material:**
Steel 1.0332 acc. to DIN EN 10111
- **Temperature range:**
Electro zinc plated, 8-12 µm
- **Sound absorption unit:**
EPDM, black
- **Hardness:**
65° +/- 5° Shore-A
- **Temperature range:**
-50°C to +110°C



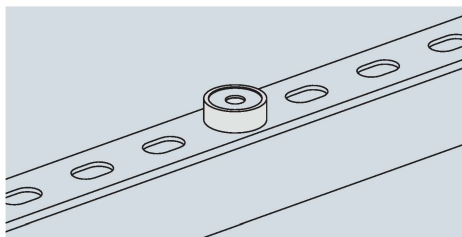
Type I



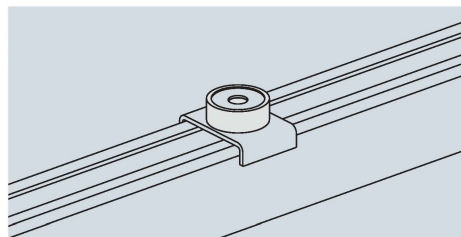
Type II



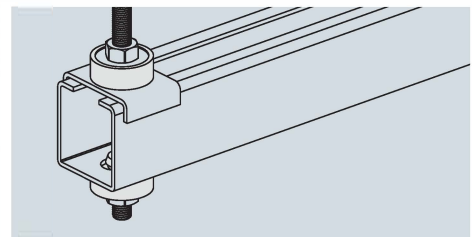
Article Number	Type	For Threaded Rod Ø[mm]	Dimensions [mm]				Pack Size [pcs]
			a	b	c	d	
1002 616 001	Type I	Ø8.5	28	7	3	21	100
1002 616 002		Ø10.5	28	7	3	21	100
1002 616 003	Type II	Ø8.5	28	7	3	17	100
1002 616 004		Ø10.5	28	7	3	17	100



Sound Insulator in oblong hole



Sound Insulator on retaining clip.



Sound Insulator in C Channel.