

Art. 290

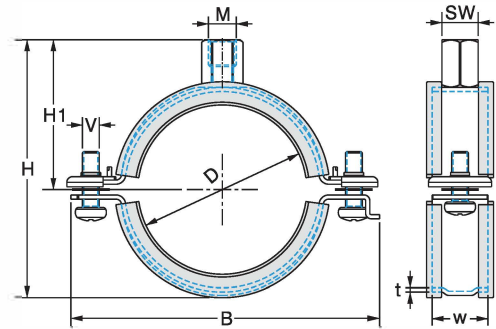
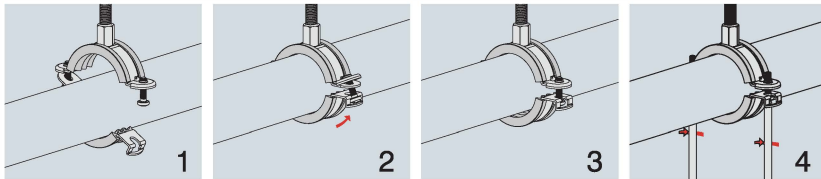
Two Screw Pipe Clamp w/ Lining (Click Type)

Application/Advantages

- **Patented model.**
- Suitable for fixing of drinking and heating water pipe lines.
- Practical, proven click-lock for efficient, economical fastening of pipes.
- Locking notches on both sides prevents loss of screws.
- **Double-swiveling closure** provides safety and installation advantages.
- Strong sound insulation insert for firm fit.

Technical Data

- Material: Steel 1.0332 acc. to DIN EN 10111
- Zinc plating: Electro zinc plated, 8–12 µm
- Sound absorption lining: EPDM; chlorine-free; silicone-free
- Noise reduction: According to DIN 4109
- Temperature resistance: -50°C to +110°C
- EPDM hardness: 45° +/- 5° Shore-A
- Fire behaviour: Class B2 according to DIN 4102



Article Number	Clamping Range		Connecting Thread	Dimensions [mm]						Pack Size [pcs]	Max. Rec. Load [N]
	D[mm]	[inch]		w x t	B	H	H1	SW	V		
1218 290 008	8-11	–	M8/M10	20x1.0	52	42	29	13	M6x25	150	800
1218 290 012	12-15	1/4	M8/M10	20x1.0	52	42	29	13	M6x25	150	800
1218 290 016	16-19	3/8	M8/M10	20x1.0	56	46	31	13	M6x25	100	800
1218 290 020	20-23	1/2	M8/M10	20x1.0	60	50	33	13	M6x25	100	800
1218 290 025	25-29	3/4	M8/M10	25x1.5	74	58	38	13	M6x25	100	1000
1218 290 030	30-34	1	M8/M10	25x1.5	79	64	41	13	M6x25	100	1000
1218 290 035	35-39	–	M8/M10	25x1.5	83	67	42	13	M6x30	50	1000
1218 290 040	40-46	1-1/4	M8/M10	25x1.5	90	74	46	13	M6x30	50	1000
1218 290 047	47-53	1-1/2	M8/M10	25x1.5	97	81	49	13	M6x30	50	1000
1218 290 054	54-60	2	M8/M10	25x1.5	104	88	53	13	M6x30	50	1000
1218 290 061	61-66	–	M8/M10	25x1.5	110	94	56	13	M6x30	50	1000
1218 290 067	67-71	–	M8/M10	25x1.5	115	100	59	13	M6x30	50	1000
1218 290 072	72-77	2-1/2	M8/M10	25x1.5	122	106	62	13	M6x30	50	1000
1218 290 078	78-84	–	M8/M10	25x1.5	129	113	65	13	M6x30	50	1000
1218 290 087	87-93	3	M8/M10	25x1.5	136	121	69	13	M6x30	50	1000
1218 290 094	94-99	–	M8/M10	25x1.5	141	128	72	13	M6x35	50	1000
1218 290 099	99-104	–	M8/M10	25x2.0	161	135	76	13	M8x40	25	1400
1218 290 108	108-112	–	M8/M10	25x2.0	168	143	80	13	M8x40	25	1400
1218 290 114	114-118	4	M8/M10	25x2.0	174	149	83	13	M8x40	25	1400
1218 290 119	119-123	–	M8/M10	25x2.0	179	154	85	13	M8x40	25	1400
1218 290 124	124-128	–	M8/M10	25x2.0	184	159	88	13	M8x40	25	1400
1218 290 131	131-137	–	M8/M10	25x2.0	193	168	92	13	M8x40	25	1400
1218 290 138	138-144	5	M8/M10	25x2.0	200	175	96	13	M8x40	25	1400
1218 290 145	145-149	–	M8/M10	25x2.0	205	180	98	13	M8x40	25	1400
1218 290 150	150-156	–	M8/M10	25x2.0	212	157	102	13	M8x40	20	1400
1218 290 157	157-163	–	M8/M10	25x2.0	219	194	105	13	M8x40	20	1400
1218 290 164	164-170	6	M8/M10	25x2.0	227	201	109	13	M8x40	20	1400