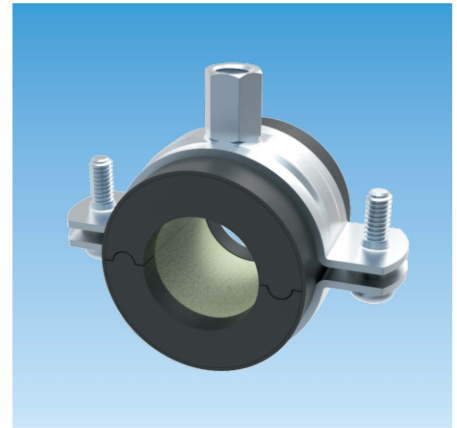
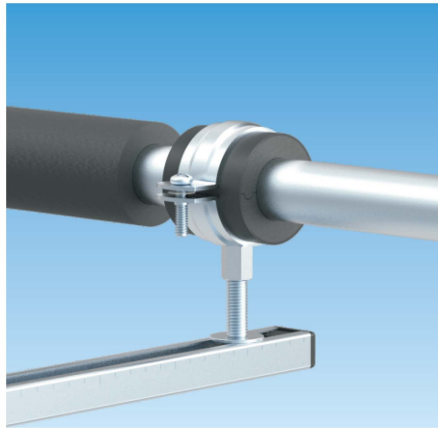


Art. 810 & 820

Refrigeration Pipe Clamp DSK-145 (PU Rack Core)

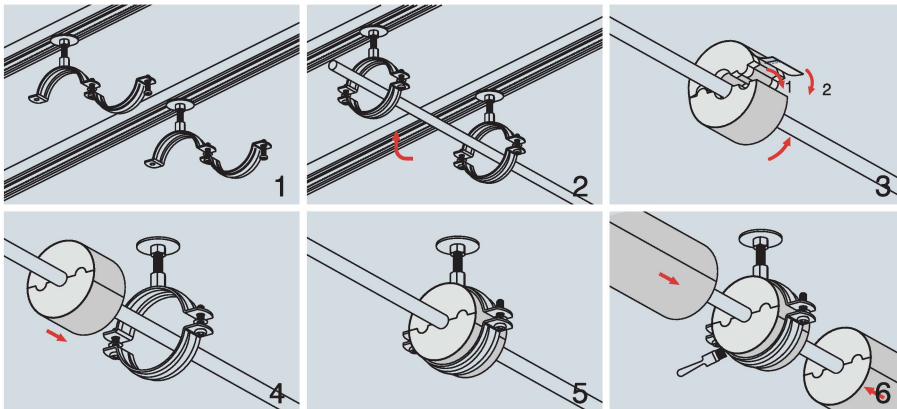
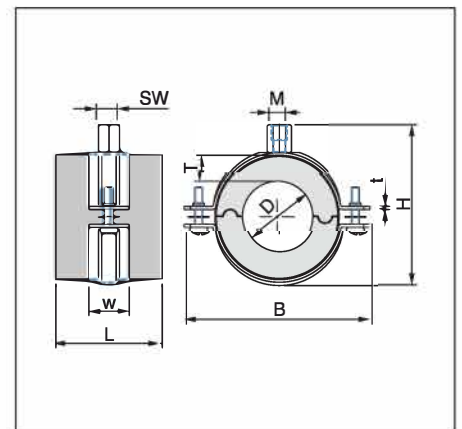
Application/Advantages

- Suitable for secure prevention of condensation from pipe support locations of refrigeration and cold-water pipelines.
- Optimal diffusion-tight connection with the pipe insulation is efficiently and safely achieved by fixing usual insulation materials to clamp faces using adhesive.
- Fibre-free insulation with thermal and acoustic properties.
- Absorption of static forces in vicinity of brackets.
- Rubber surfaces jointed on two face sides allowing easy bonding with rubber pipe insulation.



Technical Data

- | | |
|------------------------------|---|
| ■ Clamp material: | Steel, electro-galvanised |
| ■ Pipe rack core: | Polyurethane rigid foam |
| ■ Effective density: | 145kg/m ³ |
| ■ Face sides: | Synthetic rubber |
| ■ Thermal conductivity: | $\lambda = 0.034 \text{ W/(mk)}$ at 0°C
$\lambda = 0.036 \text{ W/(mk)}$ at 20°C
$\lambda = 0.038 \text{ W/(mk)}$ at 40°C |
| ■ Fire resistance: | Class B2 according to DIN 4102 |
| ■ Temperature resistance: | -40°C to +105°C |
| ■ Water vapour permeability: | $\mu = 7,000$ |



Installation

- Mount pipe clamp to the fixed rail.
- Close pipe clamp and pre-install the pipe line.
- Open insulation insert and apply corrosion protection to pipe line.
- Insert pipe, pull protective film from insulation and glue.
- Screw together clamps parts.
- On front side, glue the sealing insulation to refrigeration clamp.

Installation Notes:

- According to the AGI work sheet Q11 "Cold-insulation works on operational equipment", the insulation of refrigeration lines must be made vapour diffusion tight. Also the joints of the insert halves in the Insulation Clamps shall be sealed using PU Sealer.
- The bond with the outer pipe insulation is made by means of an adhesive suitable for PU.

Art. 810
Refrigeration Pipe Clamp DSK-145 (PU Rack Core)
For 13mm Insulation Thickness

Article Number	Pipe Outer Dia. D		Thread M [mm]	Dimensions [mm]						Max. Rec. Load [N]	Max. Rec. Span [m]	Pack Size* [pcs]
	Cu[mm]	Steel["]		w x t	SW	B	H	T	L			
0629 810 001	10	10.2mm	M8/M10	20x1.5	13	71	56	13	50	30	1.4	—
0629 810 002	12	—	M8/M10	20x1.5	13	73	58	13	50	30	1.4	—
0629 810 003	—	1/4	M8/M10	20x1.5	13	75	60	13	50	30	1.4	—
0629 810 004	15	—	M8/M10	20x1.5	13	76	61	13	50	50	1.4	—
0629 810 005	—	3/8	M8/M10	20x1.5	13	78	63	13	50	60	1.4	—
0629 810 006	18	—	M8/M10	20x1.5	13	79	64	13	50	60	1.4	—
0629 810 007	—	1/2	M8/M10	20x1.5	13	82	67	13	50	70	1.6	—
0629 810 008	22	—	M8/M10	25x2.0	13	92	69	13	50	70	1.6	—
0629 810 009	25	—	M8/M10	25x2.0	13	95	72	13	50	90	1.7	—
0629 810 010	—	3/4	M8/M10	25x2.0	13	97	74	13	50	90	1.9	—
0629 810 011	28	—	M8/M10	25x2.0	13	98	75	13	50	90	1.9	—
0629 810 012	30	—	M8/M10	25x2.0	13	100	77	13	50	100	2.0	—
0629 810 013	—	1	M8/M10	25x2.0	13	104	81	13	50	110	2.2	—
0629 810 014	35	—	M8/M10	25x2.0	13	105	82	13	50	120	2.2	—
0629 810 015	38	—	M8/M10	25x2.0	13	108	85	13	50	130	2.1	—
0629 810 016	42	1-1/4	M8/M10	25x2.0	13	112	89	13	50	130	2.0	—
0629 810 017	—	44.5mm	M8/M10	25x2.0	13	115	92	13	50	130	2.0	—
0629 810 018	—	1-1/2	M8/M10	25x2.0	13	119	96	13	50	160	2.0	—
0629 810 019	54	—	M8/M10	25x2.5	13	125	102	13	50	160	1.8	—
0629 810 020	57	—	M8/M10	25x2.5	13	128	105	13	50	170	1.8	—
0629 810 021	60	2	M8/M10	25x2.5	13	131	108	13	50	170	1.8	—
0629 810 023	64	—	M8/M10	25x2.5	13	135	112	13	50	180	1.8	—
0629 810 024	70	—	M8/M10	25x2.5	13	141	118	13	50	200	1.7	—
0629 810 025	76	2-1/2	M8/M10	25x2.5	13	147	124	13	50	210	1.7	—
0629 810 026	80	—	M8/M10	25x2.5	13	151	128	13	50	220	1.5	—
0629 810 027	—	3	M8/M10	25x2.5	13	160	137	13	50	250	1.4	—
0629 810 028	102	101.6mm	M8/M10	25x2.5	13	173	150	13	100	290	1.3	—
0629 810 029	110	—	M8/M10	25x2.5	13	181	158	13	100	300	1.3	—
0629 810 030	114	4	M8/M10	25x2.5	17	185	163	13	100	400	1.3	—

* Pack sizes are variable depending on customer's orders.

Art. 820
Refrigeration Pipe Clamp DSK-145 (PU Rack Core)
For 19mm Insulation Thickness

Article Number	Pipe Outer Dia. D		Thread M [mm]	Dimensions [mm]						Max. Rec. Load [N]	Max. Rec. Span [m]	Pack Size* [pcs]
	Cu [mm]	Steel ["]		w x t	SW	B	H	T	L			
0629 820 001	10	10.2mm	M8/M10	25x2.0	13	92	69	19	50	30	1.4	—
0629 820 002	12	—	M8/M10	25x2.0	13	94	71	19	50	30	1.4	—
0629 820 003	—	1/4	M8/M10	25x2.0	13	96	73	19	50	30	1.4	—
0629 820 004	15	—	M8/M10	25x2.0	13	97	74	19	50	50	1.4	—
0629 820 005	—	3/8	M8/M10	25x2.0	13	99	76	19	50	60	1.4	—
0629 820 006	18	—	M8/M10	25x2.0	13	100	77	19	50	60	1.4	—
0629 820 007	—	1/2	M8/M10	25x2.0	13	103	80	19	50	70	1.6	—
0629 820 008	22	—	M8/M10	25x2.0	13	104	81	19	50	70	1.6	—
0629 820 009	25	—	M8/M10	25x2.0	13	107	84	19	50	90	1.7	—
0629 820 010	—	3/4	M8/M10	25x2.0	13	109	86	19	50	90	1.9	—
0629 820 011	28	—	M8/M10	25x2.5	13	111	88	19	50	90	1.9	—
0629 820 012	30	—	M8/M10	25x2.5	13	113	90	19	50	100	2.0	—
0629 820 013	—	1	M8/M10	25x2.5	13	117	94	19	50	110	2.2	—
0629 820 014	35	—	M8/M10	25x2.5	13	118	95	19	50	120	2.2	—
0629 820 015	38	—	M8/M10	25x2.5	13	121	98	19	50	130	2.1	—
0629 820 016	42	1-1/4	M8/M10	25x2.5	13	125	102	19	50	130	2.0	—
0629 820 017	—	44.5mm	M8/M10	25x2.5	13	128	105	19	50	130	2.0	—
0629 820 018	—	1-1/2	M8/M10	25x2.5	13	131	108	19	50	160	2.0	—
0629 820 019	54	—	M8/M10	25x2.5	13	137	114	19	50	160	1.8	—
0629 820 020	57	—	M8/M10	25x2.5	13	140	117	19	50	170	1.8	—
0629 820 021	60	2	M8/M10	25x2.5	13	143	120	19	50	170	1.8	—
0629 820 023	64	—	M8/M10	25x2.5	13	147	124	19	50	180	1.8	—
0629 820 024	70	—	M8/M10	25x2.5	13	153	130	19	50	200	1.7	—
0629 820 025	76	2-1/2	M8/M10	25x2.5	13	159	136	19	50	210	1.7	—
0629 820 026	80	—	M8/M10	25x2.5	13	163	140	19	50	220	1.5	—
0629 820 027	—	3	M8/M10	25x2.5	13	172	149	19	50	250	1.4	—
0629 820 028	102	101.6mm	M8/M10	25x2.5	17	185	163	19	100	290	1.3	—
0629 820 029	110	—	M8/M10	25x2.5	17	193	171	19	100	300	1.3	—
0629 820 030	114	4	M12/M16	40x4.0	24	220	190	19	100	400	1.3	—
0629 820 031	125	—	M12/M16	40x4.0	24	231	201	19	100	520	1.3	—
0629 820 032	—	133.0mm	M12/M16	40x4.0	24	239	209	19	100	580	1.3	—
0629 820 033	140	5	M12/M16	40x4.0	24	246	216	19	100	600	1.3	—
0629 820 034	160	—	M12/M16	40x4.0	24	266	236	19	100	680	1.3	—
0629 820 035	168.3	6	M12/M16	40x4.0	24	274	244	19	100	730	1.3	—

* Pack sizes are variable depending on customer's orders.