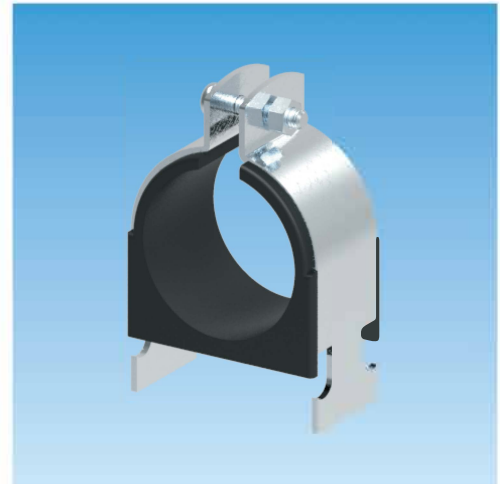


Art. 245

EFIX-STRUT™ Pipe Clamp (Electro-Galvanised)

Article Number	Clamping Range			Dimensions [mm]			Max. Rec. Load [N]	
	D [mm]	["]	["] (Cu)	w x t	B	H		
1218 245 006	6.4	-	-	32x1.5	15.7	24.9	100	600
1218 245 009	9.4	-	1/4	32x1.5	20.8	28.7	100	600
1218 245 012	12.7	-	3/8	32x1.5	23.9	34.0	100	600
1218 245 013	13.7	1/4	-	32x1.5	24.9	34.0	100	600
1218 245 015	15.7	-	1/2	32x1.5	26.9	39.1	100	600
1218 245 017	17.0	3/8	-	32x1.5	28.7	39.1	100	600
1218 245 019	19.1	-	-	32x1.5	30.5	42.7	100	600
1218 245 021	21.3	1/2	-	32x1.5	32.8	46.2	100	600
1218 245 022	22.1	-	3/4	32x1.5	33.3	46.2	100	600
1218 245 025	25.4	-	-	32x1.5	36.6	49.5	100	600
1218 245 026	26.7	3/4	-	32x1.5	39.9	52.8	100	600
1218 245 028	28.4	-	1	32x1.5	39.9	52.8	100	600
1218 245 031	31.8	-	-	32x1.5	43.2	56.1	100	600
1218 245 033	33.3	1	-	32x1.5	44.7	59.4	100	600
1218 245 034	34.8	-	1-1/4	32x1.5	46.2	59.4	50	600
1218 245 038	38.1	-	-	32x1.5	49.5	62.7	50	600
1218 245 041	41.1	-	1-1/2	32x1.5	52.6	66.0	50	600
1218 245 042	42.4	1-1/4	-	32x1.5	55.1	69.3	50	600
1218 245 044	44.5	-	-	32x1.5	55.9	69.3	50	600
1218 245 047	47.5	-	-	32x2.0	58.9	72.6	50	800
1218 245 048	48.3	1-1/2	-	32x2.0	62.2	77.2	50	800
1218 245 050	50.8	-	-	32x2.0	65.3	82.0	50	800
1218 245 053	53.8	-	2	32x2.0	71.6	90.7	50	800
1218 245 060	60.2	2	-	32x2.0	74.7	96.3	50	800
1218 245 063	63.5	-	-	32x2.0	78.0	99.6	50	800
1218 245 066	66.5	-	2-1/2	32x2.0	84.3	105.9	50	800
1218 245 076	76.2	2-1/2	-	32x2.0	90.7	112.3	50	800
1218 245 079	79.2	-	3	32x2.0	100.6	120.7	25	800
1218 245 084	84.1	-	-	32x2.0	100.3	121.7	25	800
1218 245 088	88.9	3	-	32x2.0	106.7	129.8	25	800
1218 245 091	91.9	-	3-1/2	32x2.5	113.0	129.8	25	1000
1218 245 101	101.6	3-1/2	-	32x2.5	116.1	140.7	25	1000
1218 245 104	104.6	-	4	32x2.5	126.0	148.3	25	1000
1218 245 110	110.2	-	-	32x2.5	125.7	74.2	25	1000
1218 245 114	114.3	4	-	32x2.5	141.5	166.1	25	1000
1218 245 130	130.0	-	5	32x2.5	152.7	175.8	25	1000
1218 245 141	141.2	5	-	32x2.5	166.9	191.5	10	1000
1218 245 155	155.4	-	6	32x3.0	166.9	191.5	10	1200
1218 245 168	168.1	6	-	32x3.0	179.6	209.0	10	1200



Application/Advantages

- For fixings of pipes in strut system.
- Simple one-tool installation.
- Dampens vibration and noise.
- Eliminates galvanic corrosion from metal-to-metal contact.
- Resists most industrial oils and solvents.
- Secures tubing firmly to Strut channel.

Technical Data

- **Material:**
Steel 1.0332 acc. to DIN EN 10111
- **Zinc plating:**
Electro zinc plated, 8–12 µm

