

Art. 320

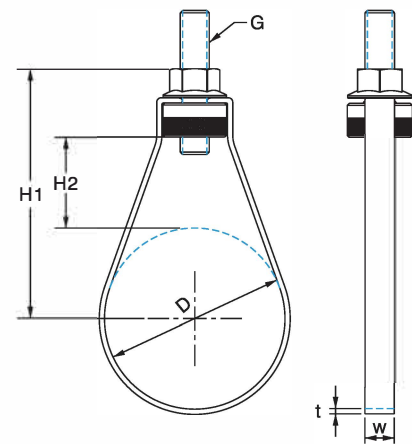
Sprinkler Loop Hanger (Euro Type)

Application/Advantages

- For stationary fire protection in fixed water-based fire extinguishing systems - primarily in sprinkler system construction.
- Spray-water fire extinguishing systems.
- CO₂ fire extinguishing systems.
- Halon fire extinguishing systems.
- Foam fire extinguishing systems.
- Powder fire extinguishing systems.

Technical Data

- Material: Steel 1.0332 acc. to DIN EN 10111
- Zinc plating: Electro zinc plated, ≥13µm
- Connection: Flanged nut according to DIN1661



Loading Data	
Size	Max. Recommended Load [N]
3/4" - 2"	2,000
2-1/2" - 4"	3,500
133.0mm - 6"	5,000
8"	8,500

Article Number	Clamping Range			Dimensions [mm]				VdS Approved	FM Approved	Pack Size [pcs]
	DN	D[mm]	[inch]	w x t	G	H1	H2			
0906 320 001	20	26.9	3/4	12x1.5	M8	56	18	●	—	50
0906 320 002	25	33.7	1	12x1.5	M8	61	19	●	—	50
0906 320 003	25	33.7	1	12x1.5	M10	63	16	●	●	50
0906 320 004	32	42.4	1-1/4	12x1.5	M8	66	20	●	—	50
0906 320 005	32	42.4	1-1/4	12x1.5	M10	68	17	●	●	50
0906 320 006	40	48.3	1-1/2	12x1.5	M8	71	22	●	—	50
0906 320 007	40	48.3	1-1/2	12x1.5	M10	73	19	●	●	50
0906 320 008	50	60.3	2	12x1.5	M8	80	25	●	—	50
0906 320 009	50	60.3	2	12x1.5	M10	82	22	●	●	50
0906 320 010	65	76.1	2-1/2	15x2.5	M10	99	30	●	●	25
0906 320 011	80	88.9	3	15x2.5	M10	114	39	●	●	25
0906 320 012	—	108.0	—	15x2.5	M10	144	59	●	—	25
0906 320 013	100	114.3	4	15x2.5	M10	144	56	●	●	25
0906 320 014	—	133.0	—	15x2.5	M12	154	51	●	—	25
0906 320 015	125	139.7	5	15x2.5	M12	161	55	●	●	25
0906 320 016	—	159.0	—	15x2.5	M12	189	73	●	—	25
0906 320 017	150	168.3	6	15x2.5	M12	189	68	●	●	25
0906 320 018	200	219.1	8	25x2.5	M16	241	83	●	●	10