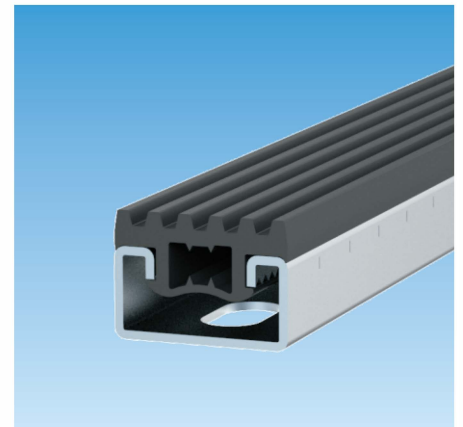
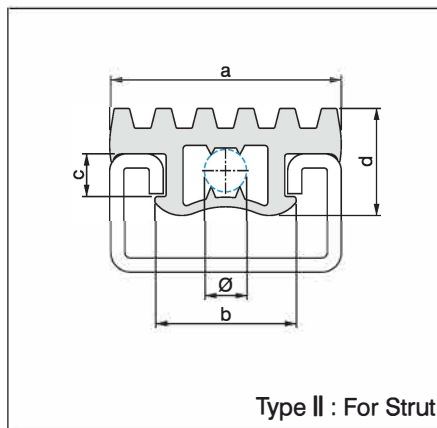
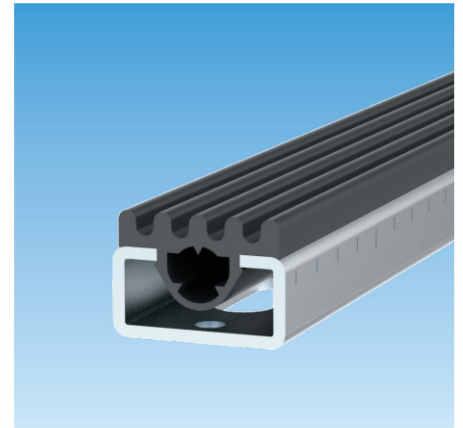
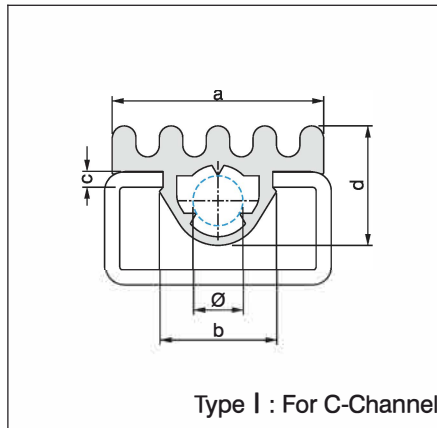


Art. 600

C-Channel & Strut Insulation Profile (SBR/EPDM)

Application/Advantages

- Sound insulation lining designed for noise depression on mounting C-Channel/Strut, e.g. with ventilation ducts.
- Easy installation by inserting into C-Channels, or screwing onto threaded rods.
- Avoiding direct contact between the air duct and the threaded rods, preventing structure-borne noises.
- Prevents drumming and other vibration noises in air ducts.
- Also suitable for threaded rods.



Technical Data

- **Material:** SBR/EPDM, black
- **Temperature range:** -50°C up to +110°C
- **Fire resistance:** Class B2 according to DIN 4102, non-dripping
- **Hardness:** 45°+ / -5° Shore-A

Note

- Refer to "Sound Absorption Range" section for chemical and physical properties details.

Article Number	Type	Channel Size	Length In Roll/[m]	For Threaded Rod Ø[mm]	Dimensions [mm]				Pack Size [rolls]
					a	b	c	d	
1002 600 001	Type I	27/18,28/30,30/15	30	M8	28	15	1.8	16.0	1
1002 600 002		38/40,40/60	30	M10	39	19	3.0	19.5	1
1002 600 003		27/18,28/30,30/15	50mm	M8	28	15	1.8	16.0	300pcs
1002 600 004		38/40,40/60	50mm	M10	39	19	3.0	19.5	300pcs
1002 600 005	Type II	41/21,41/41,41/62	10	M8 & M10	41	25	7.5	19.0	1
1002 600 006		41/21,41/41,41/62	50mm	M8 & M10	41	25	7.5	19.0	300pcs

