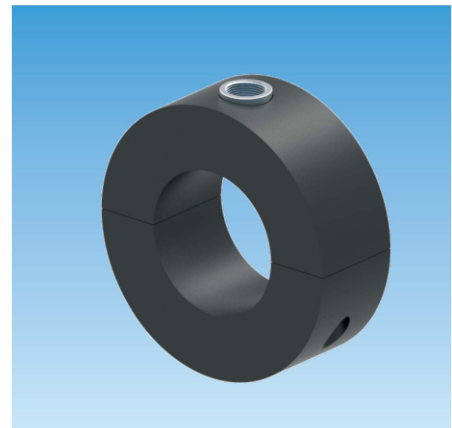
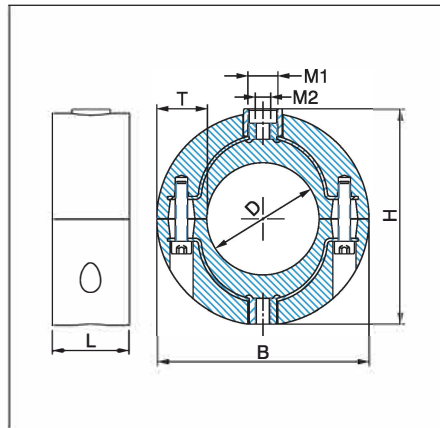


Art. 830

Refrigeration Pipe Clamp LSK-250 (PU Rigid Rack Core)

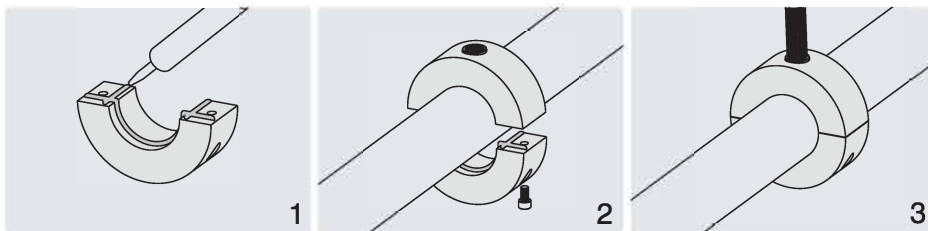
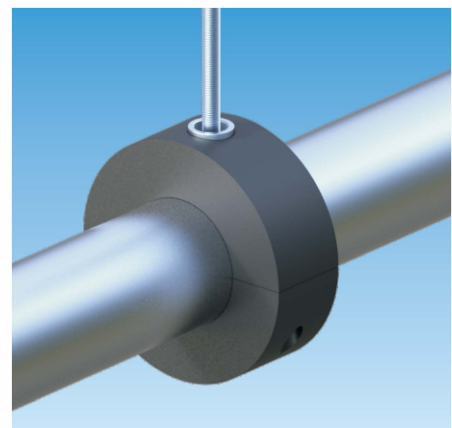
Application/Advantages

- For cold-water pipeline systems and refrigeration installations, fixation of pipe lines degenerated from sound and vibration.
- Rigorous avoidance of temperature bridges in hot or cold pipework.
- Permissible pipe dia. tolerances are securely adjusted by the elastomer element preventing condensation which may occur due to slots.
- No sealant is required, the smooth adhesion of the pipe insulation at the front surface is possible.
- Suitable also for heavy loads.



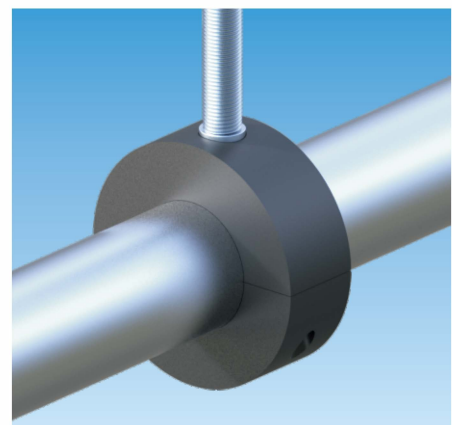
Technical Data

- | | |
|------------------------------|---|
| ■ Clamp material | Steel, electro-galvanised |
| ■ Pipe rigid rack core: | Polyurethane rigid foam, with closed cell |
| ■ Effective density: | 250kg/m ³ |
| ■ Thermal conductivity: | $\lambda = 0.044 \text{ W/(mk)}$ |
| ■ Water vapour permeability: | $\mu = 2,500$ |
| ■ Fire resistance: | Class B2 according to DIN 4102 |
| ■ Temperature resistance: | -150°C to +130°C |
| ■ Compression strength: | 297N/cm ² |



Installation Instructions:

- Insert pipes, screw clamp parts together.
- Protect pipe lines against corrosion before installation.
- The two refrigeration clamp halves are glued with a two-component PU adhesive. After gluing, remove adhesive residue.
- Glue connection insulation to refrigeration clamp on front side.



Installation Notes:

- According to the AGI work sheet Q11 "Cold-insulation works on operational equipment", the insulation of refrigeration lines must be made vapour diffusion tight. The joints of the insert halves in the Insulation Clamps shall be sealed using PU Sealer.
- The bond with the outer pipe insulation is made by means of an adhesive suitable for PU.

Art. 830
Refrigeration Pipe Clamp LSK-250 (PURigid Rack Core)

Article Number	Pipe Outer Dia. D			Thread		Dimensions [mm]				Locking Screw	Max. Rec. Load [N]	Max. Rec. Span [m]	Pack Size* [pcs]
	DN	D[mm]	["]	M1	M2	B	H	T	L				
0629 830 001	—	12.7	1/4	M8/1/2"	M8	73	77	30	40	M6x25	200	1.4	—
0629 830 002	—	15.8	—	M8/1/2"	M8	76	80	30	40	M6x25	250	1.4	—
0629 830 003	10	17.2	3/8	M8/1/2"	M8	77	81	30	40	M6x25	270	1.4	—
0629 830 004	—	18.0	—	M8/1/2"	M8	78	82	30	40	M6x25	290	1.4	—
0629 830 005	—	19.5	—	M8/1/2"	M8	80	84	30	40	M6x25	310	1.4	—
0629 830 006	15	21.3	1/2	M8/1/2"	M8	81	85	30	40	M6x25	340	1.6	—
0629 830 007	—	22.0	—	M8/1/2"	M8	82	86	30	40	M6x25	350	1.6	—
0629 830 008	20	26.9	3/4	M8/1/2"	M8	87	91	30	40	M6x25	430	1.9	—
0629 830 009	—	28.0	—	M8/1/2"	M8	88	92	30	40	M6x25	450	1.9	—
0629 830 010	—	28.6	—	M8/1/2"	M8	89	93	30	40	M6x25	460	1.9	—
0629 830 011	25	33.7	1	M8/1/2"	M8	94	98	30	40	M6x25	540	2.2	—
0629 830 012	—	35.0	—	M8/1/2"	M8	95	99	30	40	M6x25	560	2.2	—
0629 830 013	—	40.0	—	M8/1/2"	M8	100	104	30	40	M6x25	640	2.2	—
0629 830 014	—	41.2	—	M8/1/2"	M8	101	105	30	40	M6x25	660	2.2	—
0629 830 015	32	42.4	1-1/4	M8/1/2"	M8	103	107	30	40	M6x25	680	2.6	—
0629 830 016	40	48.3	1-1/2	M8/1/2"	M8	108	112	30	40	M6x25	770	2.7	—
0629 830 017	—	50.0	—	M8/1/2"	M8	110	114	30	40	M6x25	800	2.7	—
0629 830 018	—	54.0	—	M8/1/2"	M8	114	118	30	40	M6x25	860	2.7	—
0629 830 019	—	57.0	—	M8/1/2"	M8	117	121	30	40	M6x25	910	3.1	—
0629 830 020	50	60.3	2	M8/1/2"	M8	120	124	30	50	M6x25	960	3.1	—
0629 830 021	—	64.0	—	M8/1/2"	M8	124	128	30	50	M6x25	1020	3.1	—
0629 830 022	—	70.0	—	M10/1/2"	M10	130	134	30	50	M8x35	1120	3.1	—
0629 830 023	—	74.0	—	M10/1/2"	M10	134	138	30	50	M8x35	1180	3.1	—
0629 830 024	65	76.1	2-1/2	M10/1/2"	M10	136	140	30	50	M8x35	1220	3.6	—
0629 830 025	—	80.0	—	M10/1/2"	M10	140	144	30	50	M8x35	1280	3.6	—
0629 830 026	—	84.0	—	M10/1/2"	M10	144	148	30	50	M8x35	1340	3.6	—
0629 830 027	80	88.9	3	M10/1/2"	M10	149	153	30	50	M8x35	1420	3.9	—
0629 830 028	—	92.1	—	M10/1/2"	M10	152	156	30	50	M8x35	1470	3.9	—
0629 830 029	—	101.0	—	M10/1/2"	M10	181	185	40	60	M8x35	1620	3.9	—
0629 830 030	—	104.0	—	M10/1/2"	M10	184	188	40	60	M8x35	1660	3.9	—
0629 830 031	—	108.0	—	M10/1/2"	M10	188	192	40	60	M8x35	1730	4.1	—
0629 830 032	100	114.3	4	M10/1/2"	M10	194	198	40	60	M8x35	1830	4.6	—
0629 830 033	—	129.0	—	M10/1/2"	M10	209	213	40	60	M8x35	2060	4.6	—
0629 830 034	—	133.0	—	M10/1/2"	M10	213	217	40	60	M8x35	2130	5.0	—
0629 830 035	125	139.7	5	M10/1/2"	M10	220	224	40	60	M8x35	2230	5.1	—
0629 830 036	—	154.0	—	M12/1/2"	M12	234	238	40	60	M10x40	2460	5.1	—
0629 830 037	—	159.0	—	M12/1/2"	M12	239	243	40	60	M10x40	2540	5.6	—
0629 830 038	150	168.3	6	M12/1/2"	M12	248	252	40	60	M10x40	2690	5.7	—
0629 830 039	—	193.7	—	M16/3/4"	M16	314	318	60	100	M10x50	3870	5.7	—
0629 830 040	—	204.0	—	M16/3/4"	M16	324	328	60	100	M10x50	4080	4.8	—
0629 830 041	200	219.1	8	M16/3/4"	M16	339	343	60	100	M10x50	4380	4.8	—

* Pack sizes are variable depending on customer's orders.