

Art. 243

Hinged Pipe Clamp W/ Lining, **RapidClick™** Type ( III )

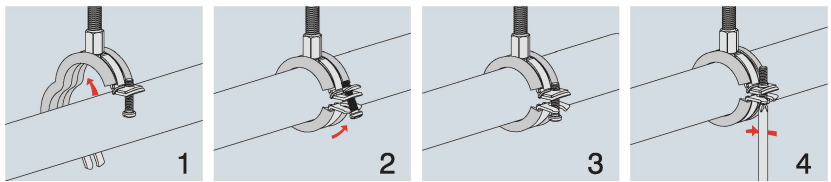
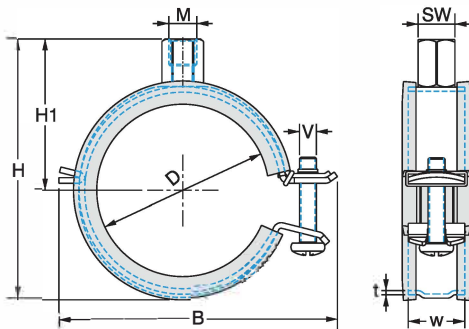
Application/Advantages

- **Patented model.**
- For fixing of drinking and heating water pipe lines.
- **Effective, efficient snap-in closure property.**
- Hinged pipe clamp can open wide for easy pipe insertion.
- Secure stop points on top of the screw, preventing the screw from falling during the installation.
- Labour cost saving when inserting pipe in overhead installations.
- Strong sound insulation insert for firm fit.



Technical Data

- **Material:** Steel 1.0332 acc. to DIN EN 10111
- **Zinc plating:** Electro zinc plated, 8–12 µm
- **Sound absorption lining:** EPDM; chlorine-free; silicone-free
- **Noise reduction:** According to DIN 4109
- **Temperature resistance:** -50°C to +110°C
- **EPDM hardness:** 45° +/- 5° Shore-A
- **Fire behaviour:** Class B2 according to DIN 4102



Article Number	Clamping Range D[mm]	Clamping Range [inch]	Connecting Thread	Dimensions [mm]						Pack Size [pcs]	Max. Rec. Load [N]
				w x t	B	H	H1	SW	V		
1218 243 012	12-14	1/4	M8/M10	20x1.5	48	44	30	13	M6x25	150	1200
1218 243 015	15-19	3/8	M8/M10	20x1.5	52	49	32	13	M6x25	150	1200
1218 243 020	20-23	1/2	M8/M10	20x1.5	57	53	35	13	M6x25	100	1200
1218 243 025	25-28	3/4	M8/M10	20x1.5	62	58	37	13	M6x25	100	1200
1218 243 032	32-35	1	M8/M10	20x1.5	70	65	41	13	M6x30	100	1200
1218 243 040	40-46	1-1/4	M8/M10	20x1.5	80	76	46	13	M6x30	50	1200
1218 243 048	48-53	1-1/2	M8/M10	20x2.0	90	85	51	13	M6x30	50	1400
1218 243 054	54-58	-	M8/M10	20x2.0	95	90	53	13	M6x30	50	1400
1218 243 059	59-62	2	M8/M10	20x2.0	99	94	55	13	M6x30	50	1400
1218 243 063	63-67	-	M8/M10	20x2.0	104	99	58	13	M6x30	50	1400
1218 243 070	70-73	-	M8/M10	20x2.0	110	105	61	13	M6x30	50	1400
1218 243 074	74-80	2-1/2	M8/M10	20x2.0	117	112	64	13	M6x35	50	1400
1218 243 083	83-91	3	M8/M10	20x2.0	128	123	70	13	M6x35	50	1400
1218 243 101	101-106	-	M8/M10	23x2.5	152	140	78	13	M6x35	25	2100
1218 243 108	108-114	4	M8/M10	23x2.5	161	148	82	13	M6x35	25	2100