

Art. 230

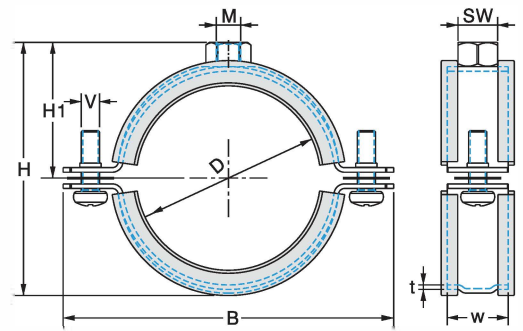
Two Screw Pipe Clamp w/ Lining (Classic Type)

Application/Advantages

- For fixing of drinking and heating water pipe lines.
- **Tried and trusted two-piece clamp design.**
- The two lock bolts allow adjustment to accommodate varying pipe diameters.
- Lock screw with captive plastic washer to prevent loss.
- Combination nut for cost-effective and flexibility on-site.
- Solid design with reinforcement band rib.
- Strong sound insulation insert for firm fit.

Technical Data

- Material: Steel 1.0332 acc. to DIN EN 10111
- Zinc plating: Electro zinc plated, 8–12 µm
- Sound absorption lining: EPDM; chlorine-free; silicone-free
- Noise reduction: According to DIN 4109
- Temperature resistance: -50°C to +110°C
- EPDM hardness: 45° +/- 5° Shore-A
- Fire behaviour: Class B2 according to DIN 4102



Article Number	Clamping Range		Connecting Thread	w x t	Dimensions [mm]					Pack Size [pcs]	Max. Rec. Load [N]
	D[mm]	[inch]			B	H	H1	SW	V		
1218 230 012	12-14	1/4	M8	20x1.2	54	33	20	13	M6x16	150	1300
1218 230 015	15-19	3/8	M8	20x1.2	59	37	22	13	M6x16	150	1300
1218 230 020	20-23	1/2	M8	20x1.2	63	41	24	13	M6x16	100	1300
1218 230 025	25-28	3/4	M8	20x1.2	69	46	27	13	M6x16	100	1300
1218 230 032	32-35	1	M8	20x1.2	76	53	30	13	M6x16	100	1300
1218 230 040	40-43	1-1/4	M8	20x1.2	84	62	35	13	M6x20	50	1300
1218 230 044	44-49	1-1/2	M8	20x1.2	90	68	38	13	M6x20	50	1300
1218 230 050	50-56	-	M8/M10	20x1.5	103	87	52	13	M6x20	50	1500
1218 230 057	57-61	2	M8/M10	20x1.5	108	92	54	13	M6x20	50	1500
1218 230 063	63-67	-	M8/M10	20x1.5	114	98	57	13	M6x20	50	1500
1218 230 070	70-73	-	M8/M10	20x1.5	121	104	60	13	M6x20	50	1500
1218 230 074	74-80	2-1/2	M8/M10	20x1.5	127	111	64	13	M6x20	50	1500
1218 230 083	83-91	3	M8/M10	20x1.5	138	122	69	13	M6x20	50	1500
1218 230 101	101-106	-	M8/M10	25x2.0	160	140	78	13	M8x25	25	2300
1218 230 108	108-114	4	M8/M10	25x2.0	168	148	82	13	M8x25	25	2300
1218 230 125	125	-	M8/M10	25x2.0	180	159	88	13	M8x25	25	2300
1218 230 131	131-135	-	M8/M10	25x2.0	190	169	93	13	M8x25	25	2300
1218 230 136	136-139	-	M8/M10	25x2.0	194	173	95	13	M8x25	25	2300
1218 230 140	140-144	5	M8/M10	25x2.0	199	178	97	13	M8x25	25	2300
1218 230 159	159-163	-	M8/M10	25x2.0	218	197	107	13	M8x25	20	2300
1218 230 165	165-169	6	M8/M10	25x2.0	224	203	110	13	M8x25	20	2300
1218 230 193	193-200	-	M8/M10	25x3.0	255	236	127	17	M8X30	10	3200
1218 230 210	210-212	-	M8/M10	25x3.0	267	248	133	17	M8X30	10	3200
1218 230 216	216-220	8	M8/M10	25x3.0	275	256	137	17	M8X30	10	3200