

Art. 509

U-Shaped Washer (C-Channel/Strut)

Application/Advantages

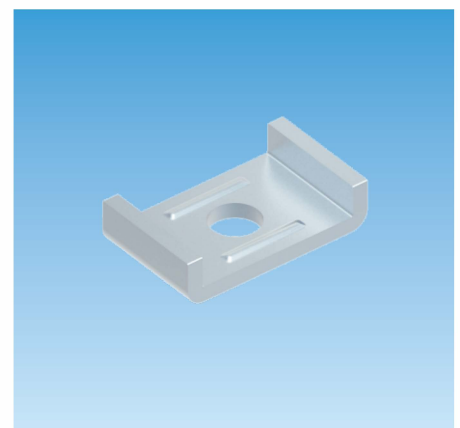
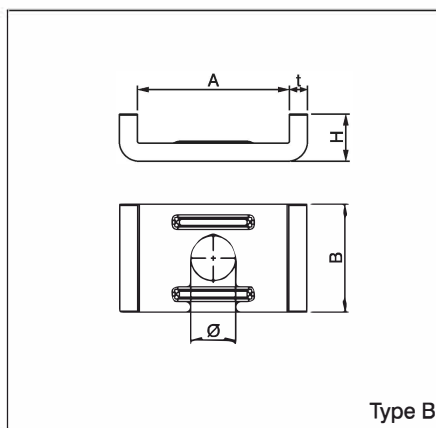
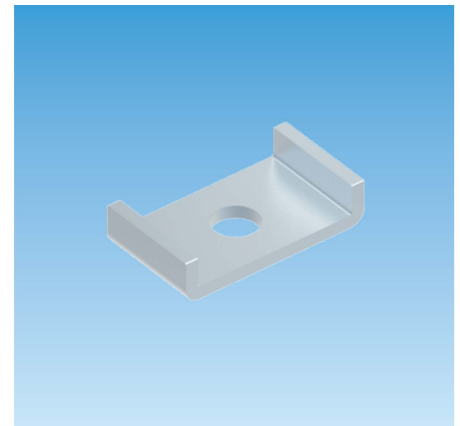
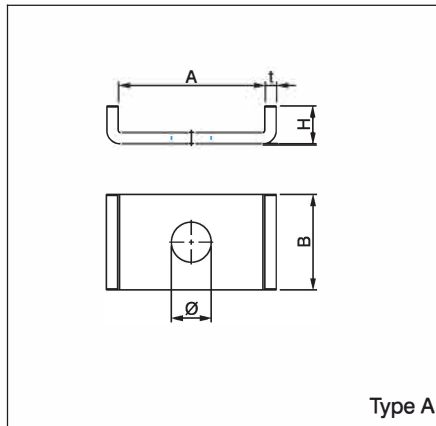
- For stabilisation of C-channels and struts in connection with hammer head screws or hammer head fasteners.
- Prevents lateral bending of the C-channel and Strut under load.

Technical Data

- **Material:**  
Steel 1.0332 acc. to DIN EN 10111
- **Zinc plating:**  
Electro zinc plated, 3–8 µm  
Hot-dipped galv. acc. to DIN EN ISO 1461

Note

- The retaining washer can be used for proper fastening with a fixing anchor bolt.



Article Number		Type	For Channel & Strut	Connecting Hole Ø [mm]	Dimensions [mm]				Pack Size [pcs]
Galvanised	Hot-dipped galv.				A	B	H	t	
0531 509 001	—	Type A	27/18, 28/30	8.5	28.5	25	10	2.0	100
0531 509 002	—		30/15	8.5	31.0	25	10	2.0	100
0531 509 003	—		38/40	10.5	39.0	30	13	2.5	100
0531 509 004	—		40/60	10.5	41.0	30	13	2.5	100
0531 509 005	—		41/21, 41/41	10.5	42.0	30	13	3.0	100
0531 509 006	—		41mm series	13.5	42.0	30	13	3.0	100
0531 509 007	0531 509 011	Type B	For all 41mm series struts	9.0	42.0	30	10	5.0	50
0531 509 008	0531 509 012			11.0	42.0	30	10	5.0	50
0531 509 009	0531 509 013			13.0	42.0	30	10	5.0	50
0531 509 010	0531 509 014			17.0	42.0	30	10	5.0	50

