

Art. 357 Yoked Two Screw Pipe Clamp w/o Lining (Medium-duty Type)

Application/Advantages

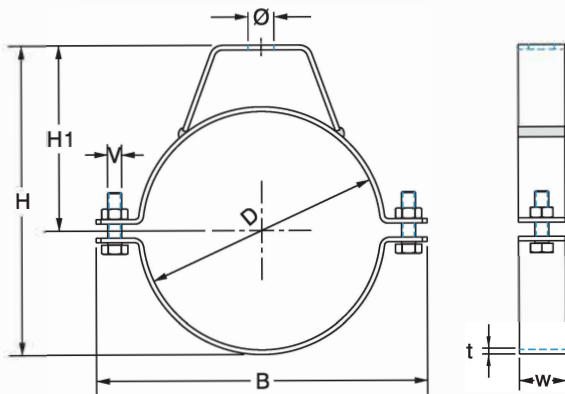
- Two screw medium-duty yoke clamp for mounting clips and pipes carrying medium load to walls, ceilings and floors.
- **Pipe support for medium duty load applications.**
- Fix medium-duty clamps where nuts, steel anchors and rods are used.
- Stronger fastening latches for higher load capacity.
- **CO₂ welded connection head for all sizes.**

Technical Data

- Material: Steel 1.0332 acc. to DIN EN 10111
- Zinc plating: Electro zinc plated, 8–12 µm

Note

- Other finishes available subject to request.



Article Number	Size D [mm]	Pipe Dia. [mm]/[NB]	Connection hole Ø [mm]	w x t	Dimensions [mm]			V	Pack Size [pcs]	Max. Rec. Load [N]
					B	H	H1			
0906 357 019	19.0	20cu	11.0	20x3.0	75	51	39	M6x25	25	3200
0906 357 021	21.0	15nb	11.0	20x3.0	77	53	40	M6x25	25	3200
0906 357 025	25.0	25cu	11.0	20x3.0	81	57	42	M6x25	25	3200
0906 357 027	27.0	20nb	11.0	20x3.0	83	59	43	M6x25	25	3200
0906 357 032	32.0	32cu	11.0	20x3.0	88	64	45	M6x25	25	3200
0906 357 034	34.0	25nb	11.0	20x3.0	90	66	46	M6x25	25	3200
0906 357 038	38.0	40cu	11.0	20x3.0	94	70	48	M6x25	20	3200
0906 357 043	43.0	32nb	11.0	20x3.0	99	75	51	M6x25	20	3200
0906 357 048	48.0	40nb	11.0	20x3.0	104	80	53	M6x25	20	3200
0906 357 051	51.0	50cu	11.0	20x3.0	107	83	55	M6x25	20	3200
0906 357 060	60.0	50nb	11.0	20x3.0	116	92	59	M6x25	20	3200
0906 357 064	64.0	65cu	11.0	20x3.0	120	96	61	M6x25	20	3200
0906 357 073	73.0	65nb	11.0	20x3.0	129	105	66	M6x25	20	3200
0906 357 076	76.0	80cu	11.0	20x3.0	132	108	67	M6x25	20	3200
0906 357 083	83.0	83ns	11.0	20x3.0	139	115	71	M6x25	20	3200
0906 357 089	89.0	80nb	11.0	20x3.0	145	121	74	M6x25	20	3200
0906 357 102	102.0	102cu	11.0	20x3.0	158	134	80	M6x25	20	5000
0906 357 115	115.0	115nb	11.0	25x3.0	175	151	89	M6x25	20	5000
0906 357 127	127.0	125cu	11.0	25x5.0	187	163	95	M8x30	10	5000
0906 357 140	140.0	125nb	11.0	25x5.0	200	176	101	M8x30	10	5000
0906 357 152	152.0	150cu	11.0	25x5.0	212	188	107	M8x30	10	5000
0906 357 168	168.0	150nb	11.0	25x5.0	228	204	115	M8x30	10	5000