

Art. 390

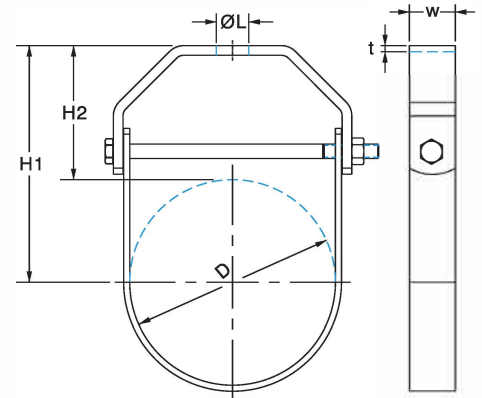
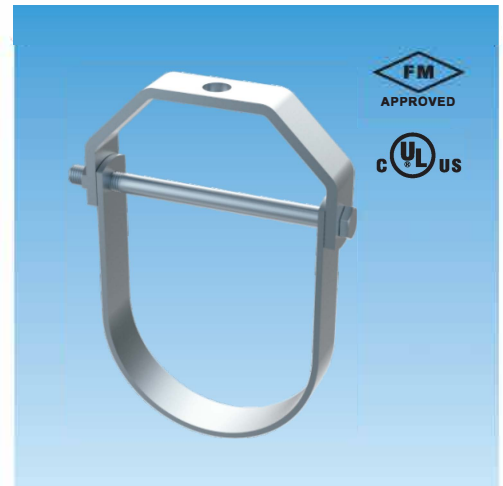
Clevis Pipe Hanger (Electro-Galvanised)

Application/Advantages

- FM and UL approved for the fixing of stationary pipe lines.
- Designed for suspending insulated pipe (with shield) or non-insulated pipework, and fire fighting systems.
- Design permits vertical adjustment of pipe after installation.
- Designed with yoke on exterior of lower U-Strap, preventing yoke from sliding toward center of bolt, minimising bolt bending.
- Ideal for suspension using threaded pins and threaded rods.
- Hanger load nut above Clevis must be tightened securely to ensure proper hanger performance.

Technical Data

- Material: Steel 1.0332 acc. to DIN EN 10111
- Zinc plating: Electro-galvanised as per DIN EN10327



Loading Data	
Size	Max. Recommended Load [N]
1/2"-2"	2,000
2-1/2"-4"	3,500
6"	5,000
8"	8,500

Article Number	Clamping Range			Dimensions [mm]				UL Approved	FM Approved	Pack Size [pcs]
	DN	D[mm]	[inch]	w x t	ØL	H1	H2			
0906 390 001	15	21.3	1/2	19x2.5	11.0	43	32	●	—	100
0906 390 002	20	26.9	3/4	19x2.5	11.0	49	35	●	—	100
0906 390 003	25	33.7	1	19x2.5	11.0	53	35	●	—	100
0906 390 004	32	42.4	1-1/4	25x2.5	11.0	61	39	●	—	100
0906 390 005	40	48.3	1-1/2	25x2.5	11.0	67	43	●	—	100
0906 390 006	50	60.3	2	25x3.0	11.0	78	48	●	—	100
0906 390 007	65	76.1	2-1/2	30x3.5	13.0	99	60	●	●	50
0906 390 008	80	88.9	3	30x3.5	13.0	112	67	●	●	50
0906 390 009	94	101.6	3-1/2	30x3.5	13.0	141	88	●	●	50
0906 390 010	100	114.3	4	30x5.0	17.0	139	82	●	●	25
0906 390 011	125	139.7	5	30x6.0	17.0	167	96	●	●	25
0906 390 012	150	168.3	6	38x8.0	21.0	201	116	●	●	10
0906 390 013	200	219.1	8	38x9.0	21.0	247	136	●	●	10
0906 390 014	250	273.0	10	50x9.0	21.0	305	167	●	—	5
0906 390 015	300	323.9	12	50x9.0	21.0	311	148	●	—	5
0906 390 016	350	355.6	14	<p>Note: We produce Clevis Pipe Hangers in all other pipe sizes and types depending on customer's special requests and specifications.</p>						
0906 390 017	400	406.4	16							
0906 390 018	450	457.2	18							
0906 390 019	500	508.0	20							
0906 390 020	600	609.6	24							